

AD-4405

INSTRUCTION MANUAL

Weighing Indicator



AND

A&D Company, Limited

WM+PD4000504

This manual and Marks

All safety messages are identified by the following, "WARNING" or "CAUTION", of ANSI Z535.4 (American National Standard Institute: Product Safety Signs and Labels). The meanings are as follows:

 WARNING	A potentially hazardous situation which, if not avoided, could result in death or serious injury.
 CAUTION	A potentially hazardous situation which, if not avoided, may result in minor or moderate injury.



This is a hazard alert mark.

- This manual is subject to change without notice at any time to improve the product.
- The product specifications are subject to change without any obligation on the part of the manufacturer.
- Under the copyright laws, the instruction manual and the software (program) described in it are copyrighted, with all rights reserved.



Contents

1.	Compliance.....	3
1.1.1.	Compliance with FCC Rules	3
1.1.2.	Compliance with European Directives	3
2.	Introduction	4
3.	Installation and Precautions.....	5
3.1.1.	Installation and Precautions.....	5
3.1.2.	The Load Cell Connections	5
3.1.3.	Adjustment of the Load Cell Output.....	6
3.1.4.	Verifying Load Cell Output and Input Sensitivity	6
3.1.5.	Installing an Option Board.....	7
4.	Description of Panels and symbols.....	8
4.1.1.	Front Panel Description	8
4.1.2.	Rear Panel Description	9
4.1.3.	Other Displays and Symbols	9
4.1.4.	Accessories and options	10
5.	Calibration	11
5.1.1.	Items of Calibration Mode	11
5.2.	Calibration Procedure	12
5.2.1.	Configuring a Weighing Instrument.....	12
5.2.2.	To Get Stabilized Data	14
5.2.3.	Zero Calibration	15
5.2.4.	Span Calibration	15
5.2.5.	Exiting the Calibration Mode.....	16
5.3.	Weighing Range Function	17
5.3.1.	Setting the Division and Range	18
5.4.	Digital Linearization Function.....	18
5.5.	Gravity Compensation Function.....	19
5.5.1.	The Gravity Acceleration Table	20
5.6.	Calibration Error Code List.....	21
6.	Functions	22
6.1.	Changing the Function Settings	22
6.2.	F-Functions	23
6.3.	CF-Functions	32
7.	Tare	33
7.1.1.	Weighing Tare	33
7.1.2.	Digital Input (Preset Tare).....	33
7.1.3.	Clearing Tare	33
8.	Accumulation	34
8.1.1.	Preparation and Specifications.....	34
8.1.2.	Display and Operation	35
9.	Code Memory	37

9.1.1.	Using Code Memory	37
10.	Comparison	38
10.1.	Weight Check Mode.....	38
10.1.1.	Condition formula for Comparison	39
10.1.2.	Setting the Upper/Lower Limit Values.....	40
10.2.	Setpoint Comparison.....	41
10.2.1.	Description of Input parameters and Outputs.....	41
10.2.2.	Simple Batch.....	42
10.2.3.	Setting the Parameters of Setpoint Comparison.....	43
11.	Hold Function.....	44
11.1.1.	Setting the Hold Functions.....	44
12.	Counting Function	46
12.1.	Using the Counting Function	46
12.2.	Unit Weight Registration	46
13.	Calendar / Clock	48
13.1.	Time and Date Functions.....	48
13.2.	Setting Time and Date	49
14.	Internal Printer (OP-06).....	51
15.	Common Printer and Data Output Items	53
15.1.	Data Output / Print Mode	53
15.2.	Data Number	54
15.3.	Interval Data Output / Print	54
15.3.1.	Setting the Interval Time	55
15.3.2.	Interval Data Output / Print output.....	55
16.	RS-232C Interface.....	56
16.1.	Specifications.....	56
16.2.	Data Format.....	57
16.3.	Command Format	58
16.3.1.	Commands to Request Data	59
16.3.2.	Commands to Control the Indicator	60
16.3.3.	Commands to Set Parameters.....	62
16.3.4.	Commands for the Hold Function	63
16.3.5.	Commands to Set the Data Output/ Print Format (UFC)	63
16.4.	UFC Commands	64
17.	RS-422/RS-485, Relay Output(OP-03)	66
18.	Relay Output & Control Input (OP-05).....	68
19.	4-20mA Analog Output (OP-07).....	69
20.	Current Loop Output (OP-08).....	70
21.	Specifications.....	72
21.1.	Dimensions	73



1. Compliance

1.1.1. Compliance with FCC Rules

Please note that this equipment generates, uses and can radiate radio frequency energy. This equipment has been tested and has been found to comply with the limits of a Class A computing device pursuant to Subpart J of Part 15 of FCC rules. These rules are designed to provide reasonable protection against interference when this equipment is operated in a commercial environment. If this unit is operated in a residential area it may cause some interference and under these circumstances the user would be required to take, at his own expense, whatever measures are necessary to eliminate the interference.

(FCC = Federal Communications Commission in the U.S.A.)

1.1.2. Compliance with European Directives

CE This appliance complies with the statutory EMC (Electromagnetic Compatibility) directive 89/336/EEC and the Low Voltage Directive 73/23/EEC for safety of electrical equipment designed for certain voltages.

Note: The displayed value may be adversely affected under extreme electromagnetic influences.



2. Introduction

- The AD-4405 is a weighing indicator that amplifies signals from a load cell, converts it to digital data and displays it as a mass value.
- This indicator has the following performance:
 - Input sensitivity: 0.25 μ V/division.
 - Maximum display: 40000 divisions.
 - Refresh rate of the display: 10 times/second approximately.
 - Input voltage range: -1 mV ~ +15 mV.
- The following standard functions are available:
 - The HiHi / Hi / OK / Lo / LoLo limit comparison to check a mass value.
 - The setpoint comparison for batching applications.
 - The counting function for piece counting.
 - The preset tare function.
 - There are four code memories to store the above mentioned data.
 - The accumulation function to totalize these mass values and to count the number of accumulations.
 - The hold function enables weighing a living animal.
 - UFC (Universal Flex Coms) function to customize the protocol of the printing format as well as outputting data using the serial interface.
 - **0** - **9** keys enables easy operation, such as setting of comparator values.
 - Built-in calendar clock with backup battery.
- There are the following interfaces:
 - One interface can be installed in the indicator at a time.
 - An RS-232C serial interface is standard, to communicate with a computer, printer or a remote display. This interface outputs data and can request weight data, enter parameters and control the state of the indicator.
 - RS-422/485 and 3-Relay Outputs (Option: OP-03)
 - RS-232C, 3-Relay Outputs and 3-Control Inputs (Option: OP-05)
 - RS-232C, Current Loop Output, 3-Relay Outputs and 1-Control Input (Option: OP-08)
 - Analog Output (4-20mA) (Option: OP-07)
- There is optional dot matrix impact printer. (OP-06)
- The calibration function includes the following functions:
 - Setting of the minimum division (weighing interval) and the maximum capacity.
 - Zero and span calibration.
 - The weighing range function of the multi-interval weighing instrument (scale).
 - Digital linearization function.
 - Gravity compensation function.



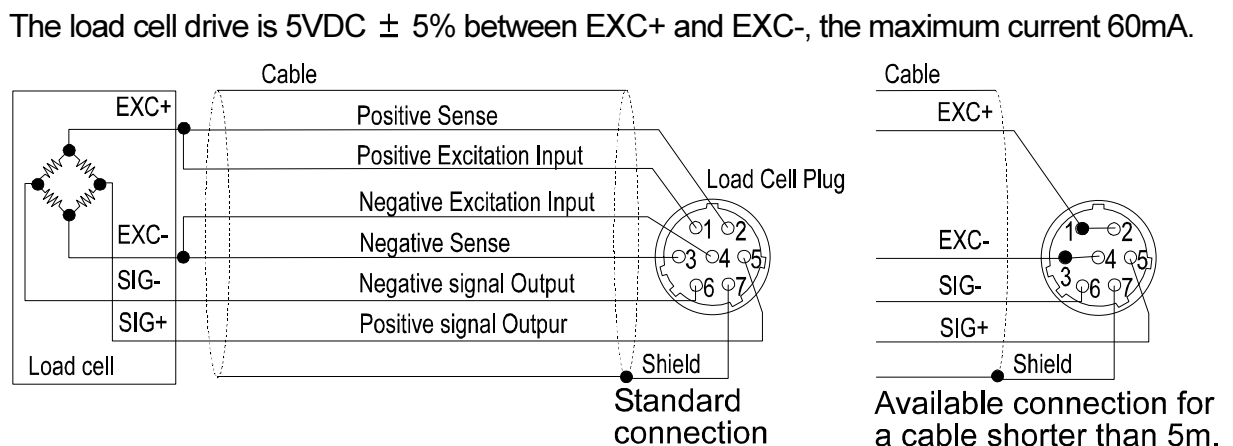
3. Installation and Precautions

3.1.1. Installation and Precautions

- The AD-4405 weighing indicator is a precision electronic instrument. Handle the indicator carefully.
- The operating temperature is -10°C to +40°C (14°F to 104°F).
- Do not install the scale in direct sunlight.
- Mis-operation or other problems may be caused by an unstable power source including momentary power failure or instantaneous noise. Use a stable power source.
- ⚠ □ Do not connect the power cord before the installation has been completed.
- ⚠ □ Verify that the local voltage and receptacle type are correct for your scale.
 - Use shielded cable for all connections. Connect the cable shields to the shield terminal or case as an earth terminal.
 - Earth ground the indicator. Do not join the earth ground line with other electrical power equipment. There is an earth ground terminal at the power cord receptacle.
 - Do not install the indicator in a place where it is apt to be charged with static electricity, or where the relative humidity is lower than 45%RH. Plastic and insulating materials are apt to be charged with static electricity.

3.1.2. The Load Cell Connections

- Connect the load cell wires to the connector (receptacle), at the rear panel, using the accessory load cell plug.
- It is possible to connect a 4 wire cable provided that pins 1-2 and pins 3-4 are shorted, if the distance between the indicator and the load cell is shorter than 5m.
- The output voltage of a load cell is a very sensitive signal. Space the load cell cable away from any noise source.
- It is possible to connect four 350ohm load cells.

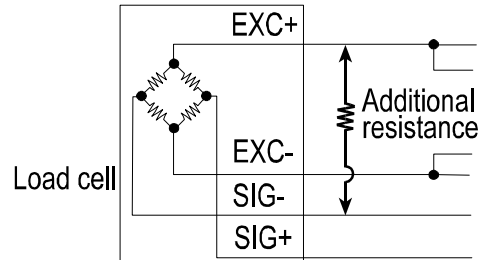


3.1.3. Adjustment of the Load Cell Output

Caution □ Use a metal film resistor in the range of 50kohm to 500kohm with a good temperature coefficient, when adding a resistor to adjust a load cell output. Use as large of a resistance value as possible in the range in which the zero adjustment is possible. Solder this resistor at a point near the load cell or the indicator.

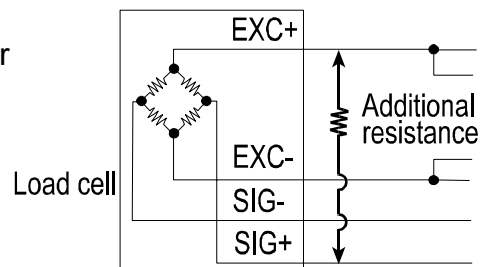
In Case of Reducing the Output Voltage

When the zero output is too large, add a resistor between EXC+ and SIG-.



In Case of Adding an Offset Voltage to the Output

When the zero output is too small, add a resistor between EXC+ and SIG+.



3.1.4. Verifying Load Cell Output and Input Sensitivity

The input sensitivity of the indicator is 0.25μV /division or more. Adapt to the following inequality, when you design a weighing instrument using the indicator and load cell(s).

- Caution** □ A change in input voltage sensitivity is required to cause a one division change of the display. Select as large an input sensitivity voltage as possible so that the weighing interval becomes stable.
- Consider the leverage if a lever is used.

Weighing instrument using one load cell.	$0.25 \leq \frac{E * B * D}{A}$	A: Rated capacity of load cell [kg] B: Rated output [mV/V] D: Weighing interval [kg]
Weighing instrument using multi-load cell	$0.25 \leq \frac{E * B * D}{A * N}$	E: Excitation voltage [mV] N: Number of load cells

Verification Example

Design:		
Load cell	N=1	
Rated capacity	A=750 [kg]	$\frac{5000 * 3 * 0.05}{750} = 1 \geq 0.25$. Therefore, regard the instrument as a good design.
Rated output	B=3 [mV/V]	
Excitation voltage	E=5000 [mV]	
Weighing interval	D=0.05 [kg]	
Weighing capacity	300 [kg]	

3.1.5. Installing an Option Board

This is the procedure for the data output board (OP-03, OP-05, OP-07 and OP-08).

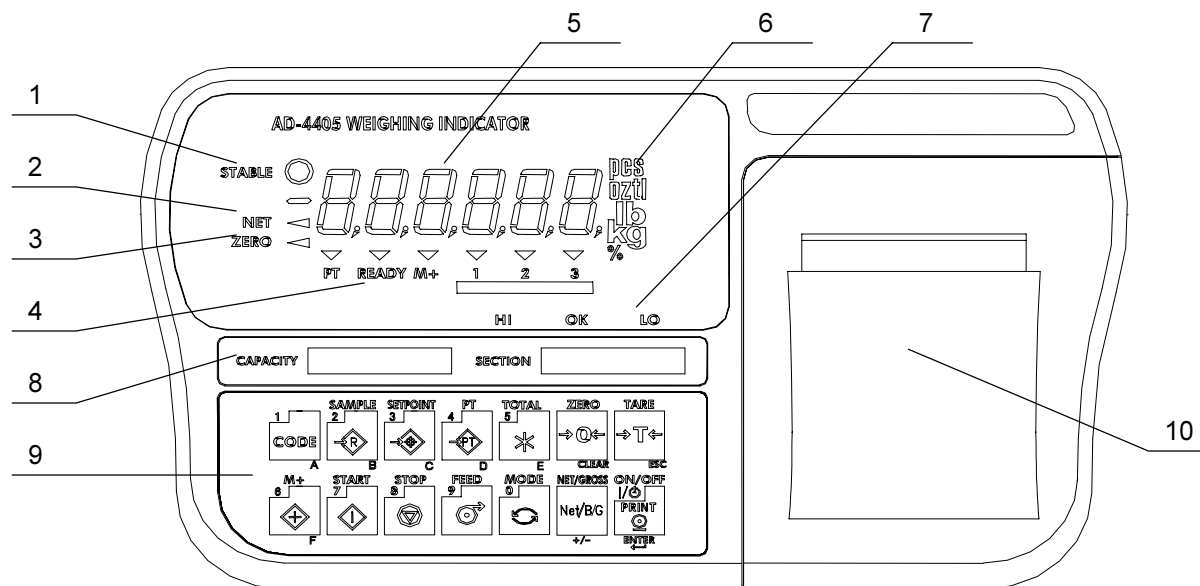
Caution □ **Do not remove any screws without the following step.**

- Step 1 Remove the power cord from the power outlet (mains) and other cables from the indicator.
- Step 2 Remove two screws from the RS-232C panel at rear panel.
- Step 3 Remove the standard RS-232C panel and board from the indicator.
- Step 4 Remove the cable from the standard RS-232C board.
- Step 5 Connect the cable that was removed in step 4 to the new option board.
Please be careful to orientate the connector correctly.
- Step 6 If the option board has an earth terminal (OP-05, OP-08), connect the earth cable in the indicator to that terminal.
- Step 7 Insert the option board into the indicator.
- Step 8 Secure option board panel using two screws.
- Step 9 Set the F-Function(s).
 - OP-07 : *F30* 1 (Analog output)
 - OP-08 : *F37* if current loop output is used



4. Description of Panels and symbols

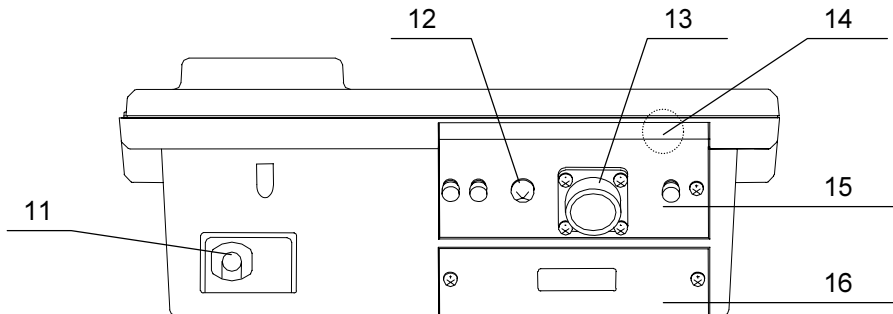
4.1.1. Front Panel Description



N o.	Name	Description
1	STABLE	Indicates when the display is stable.
2	NET	Indicates when the display is the net weight.
3	ZERO	Indicates when the display weight is in the Zero range.
4	Annunciator	Indicates various weighing status or functional selection.
	PT	Indicates when PRESET TARE value is being used.
	READY	Indicates the state of comparison or batching.
	M+ (Accumulation)	Indicates when there is a result of addition or accumulation.
	1,2,3(Triangle)	Depending on the function selected, Indicates various states.
5	MAIN display	Displays the weight, accumulation data or setting parameters.
6	UNIT part	Unit used to weigh.
7	HI/OK/LO	Indicates the results of comparison.
8	Capacity label	Capacity and division (this label is included in the accessories).
9	Key switches	Selects the display, settings or data output.
	CODE key	The key to select the code memory.
	SAMPLE key	The key to set the unit weight for the counting function.
	SETPOINT key	The key to set the comparator value.
	PT key	The key to set the PRESET TARE value.
	TOTAL key	The key to display the total weight.
	M+ key	The key to display the total weight.
	START key	The key to start comparison / batch weighing.
	STOP key	The key to stop comparison / batch weighing.
	FEED key	The key to feed the paper of the optional Built-in Printer.
	MODE key	The key to switch unit used to weigh.
	0 – 9 key	The key to input any numerical settings.
	A – F key	Used to enter setting values (press NET/GROSS key at a time).

	ZERO key	The key to zero the current display.
	CLEAR key	The key to clear the setting value.
	TARE key	The key to perform tare.
	ESC key	The key to proceed to the next step without changing the parameter set.
	NET/GROSS key	The key to select net or gross weight in the display.
	+/- key	The key to select + or – of a value.
	ENTER key	Confirms settings and stores the value.
	PRINT key	The key to print/output data (press and release quickly).
	ON/OFF key	Turns the indicator on and off (OFF: hold for 3 seconds).
10	Printer cover	Printing paper will be stored inside when the printer is installed.
	Printer	Internal dot matrix printer (optional).

4.1.2. Rear Panel Description



No.	Name	Description
11	Power cable	Please confirm that the local voltage and receptacle type are correct for your scale.
12	Grounding terminal	Connect to the Earth (M4 size screw).
13	Load cell connector	Connect a load cell using the accessory load cell plug.
14	CAL switch cover	The CAL switch is located behind the sealing panel [15].
15	Sealing panel	For type approval, available with the sealing wire posts.
16	RS-232C connector	Exchange this when installing other data output (options).

4.1.3. Other Displays and Symbols

	Standby display.
	Zero error when turning the display on. If the ESC key is pressed, the current weighing value may should be displayed.
Blank Decimal point	Over load display. Remove any load from the load cell immediately. It may cause damage to the load cell.
	An example of an error display.

4.1.4. Accessories and options

Standard accessories

Accessories	Instruction manual	1	
	Load cell plug	1	JM-NJC-207-PF
	0.2A or 0.315A time lag fuse	1	FS-EAWK-200MA FS-EAWK-315MA
	Capacity label	1	
	Function seal	1	

Caution Please confirm that the receptacle type and local voltage is correct for your indicator (scale).

Options

OP-03 (AD-4405-03) *	RS-422/485 interface, 3-Relay outputs
OP-05 (AD-4405-05) *	RS-232C interface, 3-Relay outputs and 3-Control inputs
OP-06 (AD-4405-06)	Built-in dot matrix impact printer (16 characters/line)
OP-07 (AD-4405-07) *	4-20mA analog output
OP-08 (AD-4405-08) *	RS-232C interface, 20mA current loop output, 3-Relay outputs and 1-Control input
OP-10 (AD-4405-10)	Panel mount kit (Panel attachment and load cell input terminal block)

* Only one interface option can be installed at a time, by exchanging with the standard RS-232C interface.

Supplemental accessories (for printer)

Print paper	AX-PP-156-S (10 rolls)
Ink Ribbon	AX--EWRC05-S (5pcs.)



5. Calibration

This indicator, converts an input voltage from a load cell to the "mass" value, and displays it. Calibration is the adjustment function so that the scale (indicator) can display the weight correctly.

5.1.1. Items of Calibration Mode

There are four items in the calibration function where setting should be done.

How to calibrate: In the weighing mode, press the CAL key. After `[CAL 111]` is displayed for 2 seconds `[CAL 0]` will appear. Then the required items should be selected and displayed with the `[MODE]` key, then executed by pressing the `[ENTER]` key.

NOTE: Calibration could be started by simultaneously pressing the `[ZERO]` and `[TARE]` keys, instead of the `[CAL]` key. However, in some cases, the procedures are altered to nullify this option. Furthermore, this option is not available with sealed type version setting.

Required Items

`[ALSET]` Store capacity, resolution, alignment of decimal point position and display format, weighing range and unit. These items should be set first in order for the indicator to function as a weighing instrument. Set values do not need to be changed again unless the indicator itself is replaced. For details, refer to "5.2.1. Setting a Weighing Instrument".

`[CAL 0]` Calibrates zero and span. This is required after installation, to get accurate data. For details, refer to "5.2.3. Zero Calibration" and "5.2.4. Span Calibration".

Optional Items (Sub-functions)

`[Lnr 0]` Performs digital linearization. Refer to "5.4. Digital Linearization Function".

`[G SET]` Compensates for acceleration of gravity. Refer to "5.5. Gravity Compensation Function".

Gravity compensation function: Compensates for weighing error between the calibration location and another weighing location using gravity acceleration.

In the calibration mode the keys have functions as follows:

`[0 - 9]` Numerical keys.

`[MODE]` The key to display other items.

`[CLEAR]` The cancel key at inputting data, initial data and changing mode.

`[+/-]` The key to display other parameters.

`[ESC]` The key to proceed to the next step without changing set values.

`[ENTER]` The key to store new calibration data and proceeds to the next step.

`[CAL]` The key to store all of the parameters into memory and display `[CAL OFF]` after the calibration mode. Press the `[ON/OFF]` key to turn off the display.

Note that the **ON/OFF** key does not function alone. Press the **ESC** key while holding the **ON/OFF** key to end the calibration mode, if mis-operation. After displaying **CALSETL**, press the **ON/OFF** key to end the calibration mode and turn the indicator off.

NOTE: When displaying **CALOFF**, press the **+/-** key while pressing the **ON/OFF** key, instead of **CAL** key. However, in some cases, settings are altered to nullify this option.

- Caution**
- The maximum display is less than or equal to 40000 divisions. This number is calculated from the maximum capacity divided by the minimum division.
 - Check the accuracy of the weighing instrument periodically.
 - Recommended mass, use a mass heavier than 2/3 maximum capacity.
 - Calibrate the scale, if it is moved to another location or the environment has changed.
 - It is not necessary to set the gravity acceleration correction, when calibrating the scale with a calibration mass at the place where the scale is used.
 - Enter the stable weighing data while the STABLE mark is displayed. If unstable data is used, it may cause a weighing error. Arrange the condition using the F00 filter function.
 - The span calibration needs the zero calibration data. We recommend that you perform the span calibration immediately after the zero calibration.
 - If you use the dual range function of the multi-interval scale, perform the "Range Function", "Zero Calibration" and "Span Calibration".



5.2. Calibration Procedure

5.2.1. Configuring a Weighing Instrument

This section explains how to set capacity, resolution, decimal point position and display format, weighing range and unit. Perform this procedure when installing the indicator.

When **CALSETL** appears on the display, enter the setting mode by pressing of the **ENTER** key.

Setting the range and unit.

Single Range

Select the resolution, decimal point position and format.



Specify the weighing capacity.

Dual Range

<First range> Select the resolution, decimal point position and format.



<First range> Select the weighing range



<Second range> Select the resolution



<Second Range> Specify the weighing capacity

For the range function, refer to “5.3. Weighing Range Function”.

Specifying the Range and Unit

Step 1 The range and unit of measure are displayed.

Range display : **SINGLE** : single range

DUAL : dual range

To change the range function, use the **CLEAR** key

Unit display: The active unit is displayed. When using units that can be used interchangeably, such as kg or lb, calibration should be done by using the displayed unit.

To select a unit for weighing, use the **MODE** key and to select unit for calibration, use the **+/-** key. The unit for calibration (first unit) is displayed and the alternate unit (second unit) is blinking.

ENTER Stores the value displayed and then advances to the next step.

ESC Advances to the next step without changing the parameter.

Specifying the Resolution, Decimal Point Position and Format

Step 2 The resolution will be displayed as **d0.1**, with decimal point. Triangle 1 and the first unit selected at the previous step will be displayed.

Positioning of the decimal point is done with the **CLEAR** key, setting of display format (point or comma) with the **+/-** key, the resolution with the **MODE** key. The decimal point format, set at this stage, will only apply to the display. The decimal point format for serial data output is selected using the F-function settings.

Press the **ENTER** key to store the displayed settings and then proceed to the next step. Using the **ESC** key, regardless of what is displayed, the indicator will proceed to the next step without changing the set data.

Specifying the Weighing Range of the First Range

Step 3 After displaying $\boxed{[R1]}$ for 2 seconds, the first range or the weighing capacity of single range will be displayed. When dual range is used, $\boxed{[R1]}$ is displayed for 2 seconds. Triangle ▼ 1 will be displayed. Specify parameter with the $\boxed{0}$ - $\boxed{9}$ keys and press the \boxed{ENTER} key to store it and proceed to the next step. When pressing the \boxed{ESC} key, regardless of what is displayed, the indicator will proceed to the next step without changing the parameters. The next step is Zero Calibration in single range or the second range resolution in dual range.

Specifying the Second Range Resolution

Step 4 After displaying $\boxed{[R2]}$ for 2 seconds, the resolution with decimal point and triangle ▼ 2 will be displayed. Specify the second range resolution in the same way as the first range. The decimal point cannot be moved. Specify the second range resolution greater than the first range. Press the \boxed{ENTER} key to store the parameters and proceed to the next step. When pressing the \boxed{ESC} key, regardless of what is displayed, the indicator will proceed to the next step without changing the parameter.

Specifying the Second Range Capacity

Step 5 After displaying $\boxed{[R2]}$ for 2 seconds, the capacity with unit and decimal point is displayed. Specify the capacity in the same way as the first range. The capacity should be greater than the first range. Press the \boxed{ENTER} key to store the parameters and proceed to Zero Calibration.

5.2.2. To Get Stabilized Data

Step 6 Maintain the following conditions to calibrate the scale (indicator) correctly.

- Maintain a constant temperature, stable power and stable input voltage from the load cell.
- Avoid direct sunshine or the near the outlet of an air conditioner.
- Do not install the scale (indicator) where there is a strong magnetic field.

Step 7 Turn the display on and leave it for several minutes.

5.2.3. Zero Calibration

Procedure

Step 8 Check the **[CAL 0]** display.

Select a zero calibration method to adjust the zero point

Weighing input (Normal way)	The adjustment method with nothing on the weighing unit.	To step 9
Digital input	The numerical way to enter a load cell output voltage.	To step 10

Weighing Input

Step 9 Place nothing on the weighing unit. Press the **[ENTER]** key after the STABLE mark has turned ON. The new zero point parameter will be stored.

Proceed to step 11. **[ESC]** key The key not to change the zero point data and proceed to the next step.

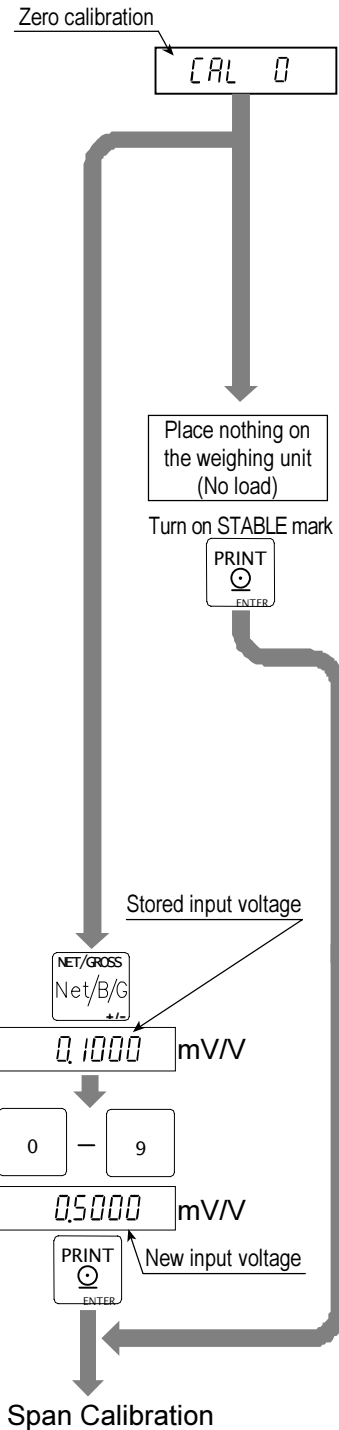
Caution: Do not press the **[ENTER] key while the STABLE mark is off (detecting motion). Arrange the condition using the F00 filter function.**

Digital Input

Step 10 Pressing the **[+/-]** key, a stored input voltage parameter of the zero point is displayed in the unit of mV/V. Adjust the input voltage using the **[0] - [9]** keys.

[ENTER]..... The key to store the zero point parameter and proceed to the next step.

[ESC] key..... The key to proceed to the next step without changing the parameter.



5.2.4. Span Calibration

Step 11 Check the capacity display after **[CAL F]** is displayed for 2 seconds.

Select a span calibration method to adjust the capacity.

Weighing a mass less than the maximum capacity	The method to weigh a mass less than the maximum capacity.	To step 12
Weighing a maximum capacity mass	The method to weigh a mass equivalent to the maximum capacity.	To step 14
Digital input	The numerical way to enter a load cell output voltage.	To step 16

Weighing a Mass less than the Maximum Capacity

- Step 12 Set a mass value using the **0** - **9** keys.
- Step 13 Place a mass equivalent to the displayed value on the weighing unit. Proceed to step 15.

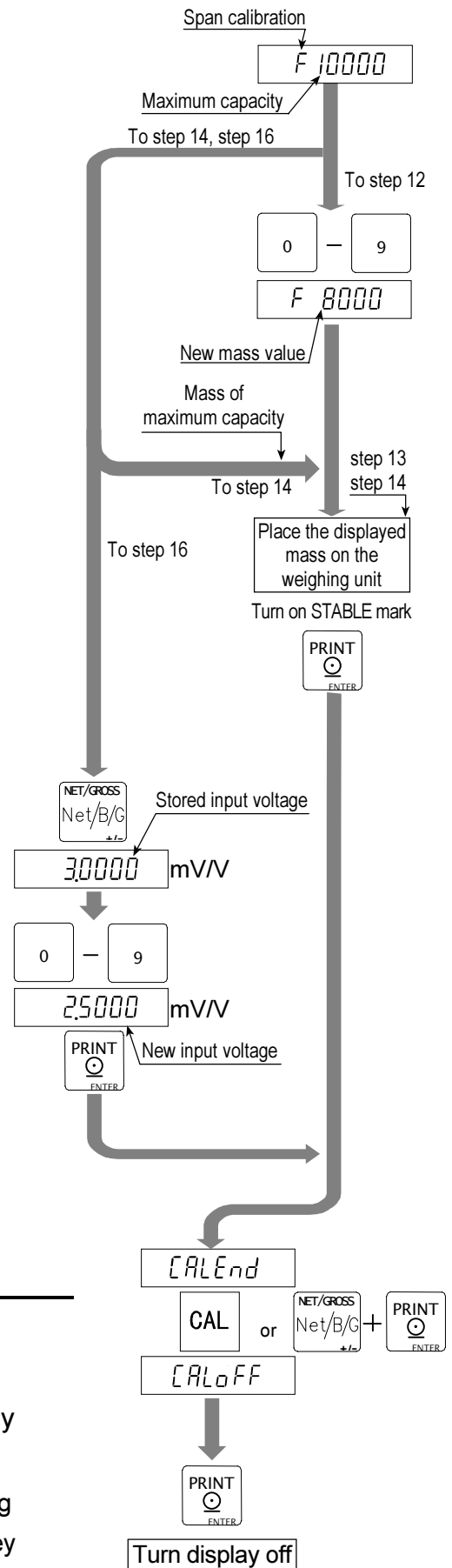
Weighing a Maximum Capacity Mass

- Step 14 Place a mass equivalent to the maximum capacity on the weighing unit.
- Step 15 Press the **ENTER** key after the STABLE mark turns on. Proceed to step 17.
ESC key The key to proceed to step 17 without changing the span parameters.

Caution: Do not press the **ENTER key while the STABLE mark is off (detecting motion). Arrange the condition using the F00 filter function.**

Digital Input

- Step 16 Pressing the **+/-** key, a stored input voltage parameter of the span is displayed in the unit of mV/V. Adjust the input voltage using the **0** - **9** keys. (It is possible to store a greater value than the capacity.)
ENTER key The key to store the span parameters and proceed to step 17.
ESC key The key to proceed to step 17 without changing the span parameters.



5.2.5. Exiting the Calibration Mode

- Step 17 Check the **CAL End** display. Use the following keys.
CAL key To store the parameters and display **CAL Off**. Proceed to the next step.
CAL Off could be displayed by pressing the **+/-** key while pressing the **ON/OFF** key instead of **CAL** key.

ESC key The key to store the parameters temporarily. Proceed to the **ARL 0** display.

Press and hold the **ON/OFF** key and press the **ESC** key

No parameters are changed, **ARnEL** is displayed and the calibration mode is finished.

Step18 Press the **ON/OFF** key to turn the display off.

5.3. Weighing Range Function

The weighing range function can select "single range" or "dual range". Specify each weighing interval (division) for the multi-interval instrument. Each weighing interval is displayed according to a net value or gross value.

Caution □ When single range is used, performing this function is not required.

Example 1 The gross display.

Specified parameters:

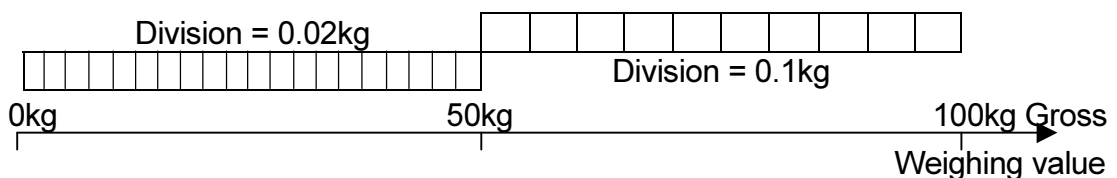
First range Range = 50.00kg, division 0.02kg

Second range Range = 100.00kg (maximum capacity), division 0.1kg

Display

0kg to 50kg : The first range, division 0.02kg.

50kg to 100kg : The second range, division 0.1kg.



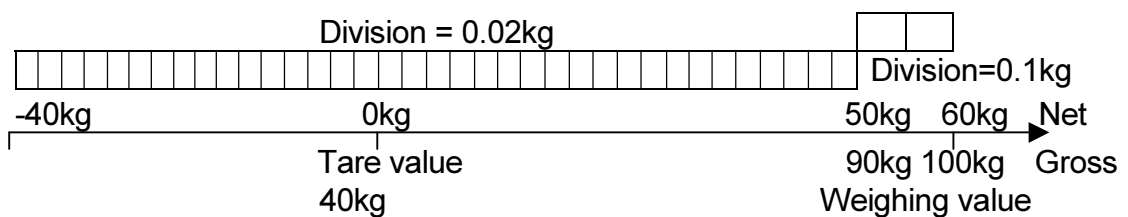
Example 2 The net display using a 40kg tare value.

Specified parameters: The same parameters as example 1.

Display

-40kg to 50kg : The first range, division 0.02kg.

50kg to 60kg : The second range, division 0.1kg.



5.3.1. Setting the Division and Range

Consider the following rules to design the weighing range.

- Rule 1 Select the division and range of each weighing range so as to fit the following inequality.
The first range < the second range
The division of the next weighing range is automatically set larger than the division of the lower weighing range. And the division can change.
- Rule 2 When setting the dual range, the upper limit value of the second range becomes the maximum capacity.
- Rule 3 Select a resolution smaller than 40000. The resolution is a value that divides the maximum capacity by the minimum division of the first range.



5.4. Digital Linearization Function

Even if the zero and span calibration have been completed, there may still remain a linearity deviation caused by the performance of the weighing unit. The digital linearization function can rectify or reduce the linearity deviation using weighing points during the zero and capacity setting. Up to three weighing points can be specified.

- Caution**
- This function does not improve repeatability or hysteresis.
 - Use the mass on the condition that $L_{nr 1} < L_{nr 2} < L_{nr 3}$.
 - Do not press the **ENTER** key while the **STABLE** mark is off.

- Step 1 Check the **CALL** display. Press the **MODE** key to display **L_{nr} 0**.
- Step 2 Enter the zero point. Refer to "5.2.3. Zero Calibration".
- Step 3 The value of the middle point is displayed after indicating **L_{nr} x**. x is 1, 2 or 3.
The triangle ▼ mark of the same number(x) is displayed along with the value.
- Step 4 Select a middle point.
- If you want to cancel the current procedure, press the **ESC** key to finish this function. Proceed to step 7 and other points are cleared (canceled).
 - Select a middle point value using the **0** - **9** keys. Proceed to step 5.
- Step 5 Place a mass equivalent to the displayed value on the weighing unit. Press the **ENTER** key after the **STABLE** mark has turned on. Proceed to step 6.
- Step 6 If you include a 2nd and 3rd middle point, repeat steps 3, 4, 5 for each.
If you finish this function, proceed to step 7.
- Step 7 Perform step 11 of "5.2.4. Span Calibration" immediately.



5.5. Gravity Compensation Function

- If the scale is used at the calibration location, it is not necessary to perform this function.
- If there is a difference of gravity acceleration between the installed location and calibration location it may cause a weighing error. This function specifies the gravity accelerations and corrects the span error.

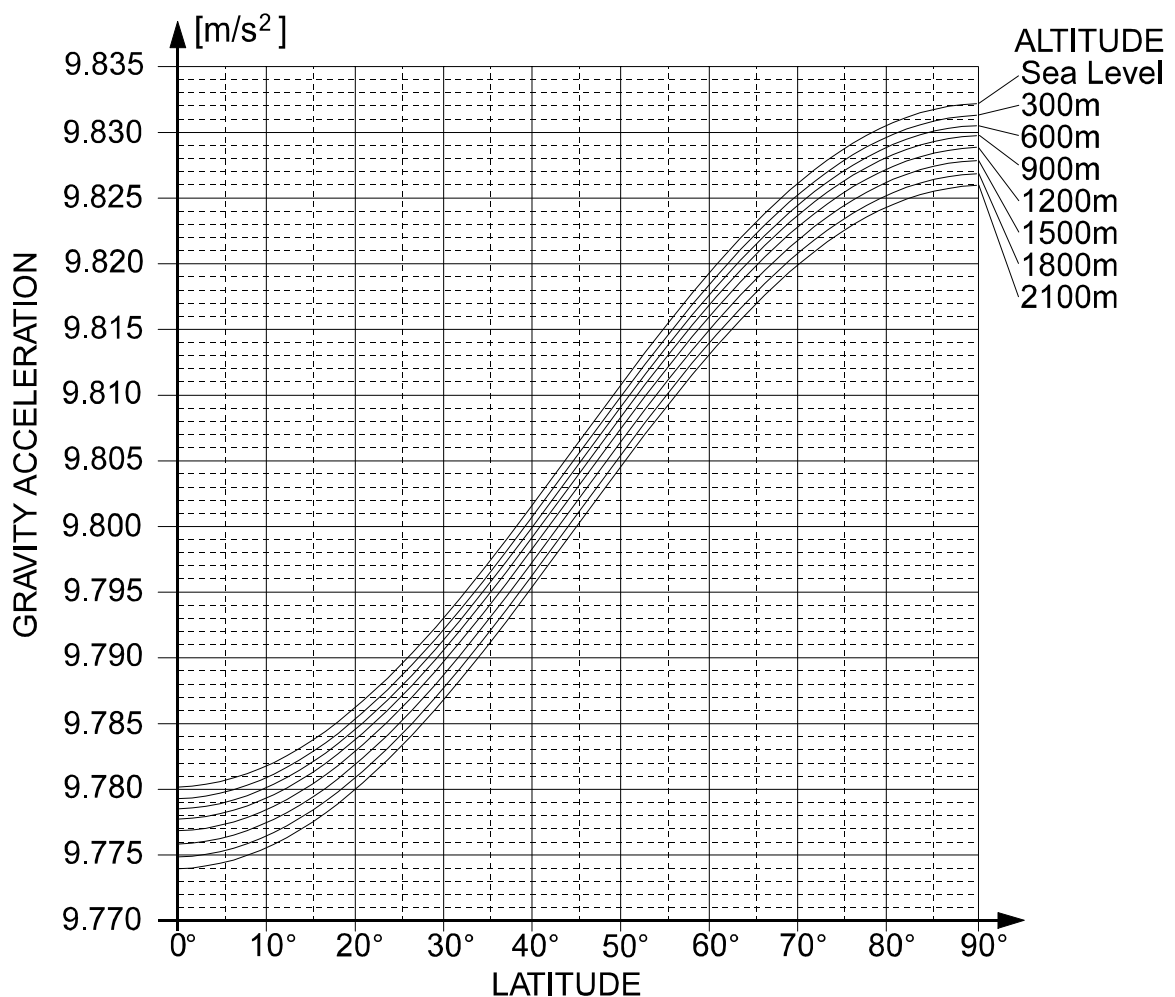
Note

- **The decimal point is not displayed in the function. Example: $\boxed{9798} = 9.798 \text{ m/s}^2$**
- **When span calibration is executed, the gravity acceleration correction will be cleared and the two gravity acceleration values will return to the factory settings.**

- Step 1 At the $\boxed{CAL 0}$ display, press the \boxed{MODE} key twice, $\boxed{G SET}$ is displayed and press the \boxed{ENTER} key to enter the gravity compensation function.
If you want to cancel the current procedure, press and hold the $\boxed{ON/OFF}$ key and press the \boxed{ESC} key. Then, no parameters are changed and the calibration mode is finished. Press the $\boxed{ON/OFF}$ key to turn the display off after displaying \boxed{CANCEL} .
- Step 2 The parameter is displayed with triangle 1. Enter the gravity acceleration of the calibration location using the $\boxed{0}$ - $\boxed{9}$ keys. The parameter xxxx is the gravity acceleration.
 \boxed{ENTER} key ... The key to store the new gravity acceleration and proceed to step 3.
 \boxed{ESC} key The key to return to $\boxed{G SET}$ without changing the value.
- Step 3 The parameter is displayed with triangle 2. Enter the gravity acceleration of the installed location using the $\boxed{0}$ - $\boxed{9}$ keys. The parameter xxxx is the gravity acceleration.
 \boxed{ENTER} key ... The key to store the new gravity acceleration and proceed to step 4.
 \boxed{ESC} key The key to return to step 2 without changing the value.
- Step 4 Now $\boxed{G xxxx}$ is displayed. Press the \boxed{CAL} key to store the parameters. $\boxed{CAL OFF}$ is displayed. Proceed to step 5.
 $\boxed{CAL OFF}$ could be displayed by pressing the $\boxed{+/}$ key while pressing the $\boxed{ON/OFF}$ key instead of the \boxed{CAL} key.
- Step 5 Press the $\boxed{ON/OFF}$ key to turn the display off.

5.5.1. The Gravity Acceleration Table

Amsterdam	9.813 m/s ²	Manila	9.784 m/s ²
Athens	9.800 m/s ²	Melbourne	9.800 m/s ²
Auckland NZ	9.799 m/s ²	Mexico City	9.779 m/s ²
Bangkok	9.783 m/s ²	Milan	9.806 m/s ²
Birmingham	9.813 m/s ²	New York	9.802 m/s ²
Brussels	9.811 m/s ²	Oslo	9.819 m/s ²
Buenos Aires	9.797 m/s ²	Ottawa	9.806 m/s ²
Calcutta	9.788 m/s ²	Paris	9.809 m/s ²
Chicago	9.803 m/s ²	Rio de Janeiro	9.788 m/s ²
Copenhagen	9.815 m/s ²	Rome	9.803 m/s ²
Cyprus	9.797 m/s ²	San Francisco	9.800 m/s ²
Djakarta	9.781 m/s ²	Singapore	9.781 m/s ²
Frankfurt	9.810 m/s ²	Stockholm	9.818 m/s ²
Glasgow	9.816 m/s ²	Sydney	9.797 m/s ²
Havana	9.788 m/s ²	Tainan	9.788 m/s ²
Helsinki	9.819 m/s ²	Taipei	9.790 m/s ²
Kuwait	9.793 m/s ²	Tokyo	9.798 m/s ²
Lisbon	9.801 m/s ²	Vancouver, BC	9.809 m/s ²
London (Greenwich)	9.812 m/s ²	Washington DC	9.801 m/s ²
Los Angeles	9.796 m/s ²	Wellington NZ	9.803 m/s ²
Madrid	9.800 m/s ²	Zurich	9.807 m/s ²





5.6. Calibration Error Code List

Exiting from a Calibration error

ESC key The key to return to the point where an error occurred. Retry the operation.

ESC key while pressing the **ON/OFF** key.

No parameters are changed, **ERR** is displayed and the calibration mode is finished. Press the **ON/OFF** key to turn the display off.

Error Code List

If an error has occurred during the calibration mode, the following code is displayed.

Error code	Description
<i>Err 0</i>	In multi-interval scale. The last division is set to maximum (d-50). Therefore the next division can not be entered.
<i>Err 1</i>	Resolution exceeds 40000. (Resolution = maximum capacity/ minimum division) Reduce the maximum capacity or increase the minimum division.
<i>Err 2</i> <i>Err 3</i>	Load cell output is too large or too small at zero calibration. Check the weighing unit and load cell. Refer to "3.1.4.Verifying Load Cell Output and Input Sensitivity".
<i>Err 4</i>	Measuring calibration mass, the value exceeded maximum capacity. Reduce the calibration mass.
<i>Err 5</i>	The selected calibration mass is smaller than the minimum division.
<i>Err 6</i>	The new input sensitivity is less than 0.2 μ V/division. Increase the input sensitivity. Refer to "3.1.4.Verifying Load Cell Output and Input Sensitivity".
<i>Err 7</i>	Placing a mass on the weighing unit, the load cell output becomes a negative value. Check the load cell cable connections and the direction of load cell mounting.
<i>Err 8</i>	The load cell output exceeds the input range before the maximum capacity. Adjust zero balance referring to "3.1.4.Verifying Load Cell Output and Input Sensitivity". Replace with a load cell designed for a smaller output. Reduce maximum capacity.
<i>Err 9</i>	The weight value is out of the input range at zero calibration or span calibration. Check the weighing unit and cables.
<i>Err 12</i>	The first weighing range is larger than second weighing range.
<i>Err 13</i>	An incorrect mass was selected at the digital linearization function. Select a mass of the following relation. $Lnr\ 1 < Lnr\ 2 < Lnr\ 3$.
<i>G Err</i>	An unacceptable value was selected in the gravity acceleration function.



6. Functions

There are two parameters lists, one for the F-functions and one for the CF-functions. These functions control the indicator. The parameters of each function are stored in non-volatile memory, and are not lost even if power is turned off or cut off.

- F-functions: These parameters can always be changed and are used for internal settings.
- CF-functions: If you accept a certificated approval of the weighing instruments, the CAL cover (rear panel) must be sealed. Therefore, accepting this approval, the parameters of the CF-function can not be changed.



6.1. Changing the Function Settings

To enter the function settings, do either of the following.

1. When the display is off, press the **ON/OFF** key while pressing the **+/-** key.
2. When in the weighing mode, press both the **+/-** and **ON/OFF** keys at the same time.

When you are in the function setting, **F00** will be displayed.

Operating Item

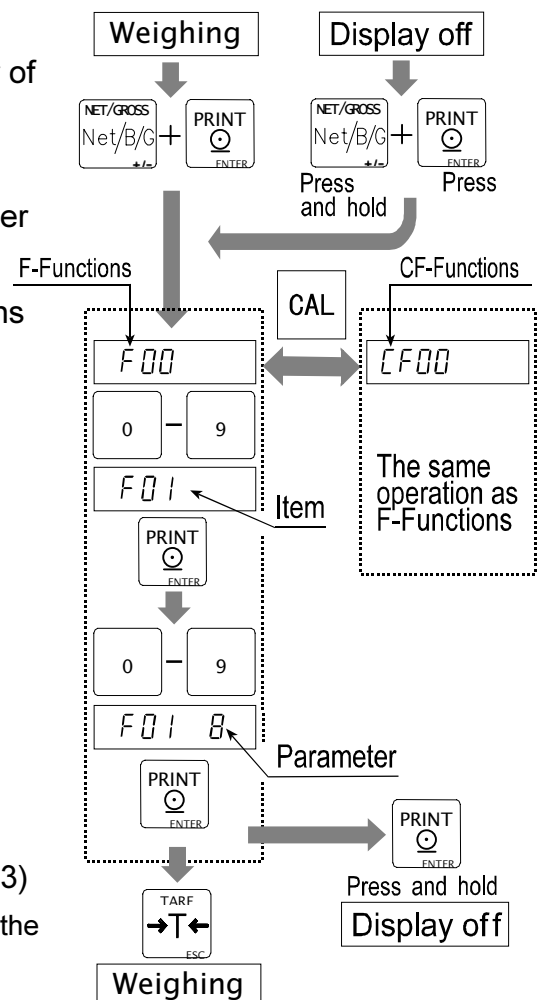
Step 1 Select an item using the **0** - **9** keys.

- ENTER** key The key to display a parameter of the selected item.
Proceed to step 2.
- ESC** key To end function setting and enter the weighing mode.
- CAL** key The key to exchange F-functions and CF-functions.

Operating parameter

Step 2 Select a parameter using the **0** - **9** keys.

- ENTER** key The key to store a parameter and return to step 1.
- ESC** key The key to return step 1 without changing the parameter.
- CLEAR** key Change the display as default value.(Type1)
Change sub item.(Type2, Type3)
Type2 and Type3 are indicated in the parameter table.



Exit function setting

Press **ESC** key to go to the weight display when item number is displayed.



6.2. F-Functions

Weighing Conditions (Digital Filter, Zero trucking and Stability)

Item	Parameter	Description
<i>F00</i> Filter Motion / Averaging time	0	2 d/ 1.6s
	1	4 d/ 1.6s
	2	8 d/ 1.6s
	3	16 d/ 1.6s
	4	32 d/ 1.6s
	5	64 d/ 1.6s
	6	128 d/ 1.6s
	7	2 d/ 3.2s
	*8	4 d/ 3.2s
	9	8 d/ 3.2s
	10	16 d/ 3.2s
	11	32 d/ 3.2s
	12	64 d/ 3.2s
	13	128 d/ 3.2s
<i>F01</i> Zero tracking	0	OFF
	1	0.5 d/ 1s
	2	1.0 d/ 1s
	3	1.5 d/ 1s
	4	2.0 d/ 1s
	5	2.5 d/ 1s
	6	0.5 d/ 2s
	7	1.0 d/ 2s
	*8	1.5 d/ 2s
	9	2.0 d/ 2s
10	2.5 d/ 2s	
<i>F02</i> STABLE mark Motion detection condition	0	No motion detection
	1	0.5 d/ 0.5s
	2	1.0 d/ 0.5s
	3	2.0 d/ 0.5s
	4	3.0 d/ 0.5s
	5	4.0 d/ 0.5s
	6	0.5 d/ 1s
	7	1.0 d/ 1s
	*8	2.0 d/ 1s
	9	3.0 d/ 1s
10	4.0 d/ 1s	
<i>F03</i> Auto Printing/ Auto accumulation	0	Once after the mark
	1	Twice in succession
	*2	Three times
	3	Four times

If weak filter is set, the response will be fast, but will be more sensitive to external influences such as vibration.

This function traces the weight value drifting around the zero point slowly, displayed as zero. If a strong parameter is set, a very small zero drift may be not detected.
If [F00] 1 is, the F01 0, 1, 6 or 7 can be selected only.
If [F00] 1 is, the initial setting is F01 7.

The function to set the condition of judgment whether a weight value is unstable or stable. The [ZERO] key and [TARE] key are active in the stable state. If these keys need to be active in the unstable state, set to F02 0 or select [F04] 1 or [F04] 3. In case of [F00] 1 is, F02 6 or F02 7 can be selected only. (Initial setting is F02 6.)

Set the number of times when the STABLE mark turned on in succession, until output/print out. If [F00] 1 is set, F03 2 or F03 3 can be selected.

d: division (weighing interval) of first range. s: second. *: Initial settings.

Display and Other General Functions

Item	Parameter		Description
F04 Display update rate	* 0	5 times/s	The selection in the unstable condition.
	1	10 times/s	
F05 [Type2] Buzzer	1 x	Key click (Sound or no)	Left: Item, select using the ZERO key
	2 x	LoLo / Zero band	Right: Parameter, select using the 0 - 5 keys
	3 x	LO	0: no sound, 1: continuous
	4 x	OK	2: 4 times/s 3: 2 times/s
	5 x	HI	4: 1 time/s 5: 1 time/2s
	6 x	HiHi / Batch finish / Full	Initial value is 11, others x0.
F06 Device ID(Address)	00 to 99	Command address or Device ID	Initial setting is 00.
F07 Counting function	* 0	Disable	
	1	Enable	

*: Initial settings.

s: second.

Key Switch

Item	Parameter		Description
F12 [Type2] Disabling key switch	10 11	CODE key	Left: Key Right: 0 Enable 1 Disable ZERO key to select switch 0, 1 key to select Enable/Disable These options could be ignored when F13 to F15 is set to 17 and shorting the terminal to the common.
	20 21	SAMPLE key	
	30 31	SETPOINT key	
	40 41	PT key	
	50 51	TOTAL key	
	60 61	M+ key	
	70 71	START key	
	80 81	STOP key	
	90 91	FEED key	
	A0 A1	MODE key	
	B0 B1	ZERO key	
	C0 C1	TARE key	
	D0 D1	NET/GROSS key	
	E0 E1	PRINT key	
F0 F1	ZERO+TARE = CAL		

*: Initial settings.

External Input

Item	Parameter	Description
F 13 EXT1 Function selection of external input	* 0	Not used (No function)
	1	ZERO key
	2	TARE key
	3	NET/GROSS key
	4	ON/OFF key
	5	PRINT key, ENTER key
	6	FEED key
	7	Serial data output (Format 1)
	8	Serial data output (Format 2)
	9	Accumulation (M+)
	10	Start batching
	11	Stop batching
	12	"Over" signal, Gross over and display data out when ON
	13	NET weight display when shorting the terminal.
	14	Accumulated data display when shorting the terminal.
	15	Execute comparison when shorting the terminal.
	16	Display by the second unit when shorting the terminal.
	17	All keys are enabled when shorting the terminal. (Ignores F12 setting temporary)
	18	Inhibit memory code reading when shorting the terminal.
19	Start averaging to hold	
20	Release holding data	
F 14 EXT2	0 to 17, 19 and 20	Same as F 13
	18	Code Memory (BCD 1)
F 15 EXT3	0 to 17, 19 and 20	Same as F 13
	18	Code Memory (BCD 2)

*: Initial settings.

Accumulation

Item	Parameter	Description
F20 [Type2] Accumulation Mode	10 11	Acc. no (0) / Exec (1)
	20 21	Manual (0) / Auto (1)
	30 31	+ Only (0) / +/- (1)
	40 41	OK only (0) / All data (1)
F21 Inhibit region for accumulation	0	Add data anytime
	* 1	Above ± 5 d
	2	Above ± 10 d
	3	Above ± 20 d
	4	Above ± 50 d

Left: Sub item, select using the **ZERO** key
Right: Setting, select using the **0**, **1** keys
Initial settings: 10, 21, 31, 41

The selection of the inhibit region for accumulation.
Do not set F21 0 when Auto accumulation (F20 21).

d: division (weighing interval) of first range.

*: Initial settings.

Comparator

Item	Parameter	Description	
F22 Comparator function	* 0	Not used	
	1	Upper/lower limit comparison (2 Limits setting)	
	2	Upper/lower limit comparison (Target and allowance)	
	3	Upper/lower limit comparison (Target and % allowance)	
	4	HH/Hi/OK/Lo/LL comparison (4 Limits setting)	
	5	HH/Hi/OK/Lo/LL comparison (Target and allowance)	
	6	HH/Hi/OK/Lo/LL comparison (Target and % allowance)	
	7	Check weighing 1	
	8	Check weighing 2	
	9	Check weighing 3	
	10	Simple batch 1	
	11	Simple batch 2	
12	Simple batch 3 (Loss in weight)		
F23 (F22 1 to 6) [Type2] Validation of comparison	10 11	Includes zero band(1)	Initial settings are 11,21,31 and 40.
	20 21	Includes minus(1)	
	30 31	Stable(0) /All of the time(1)	
	40 41	All of the time(0)/Start, stop(1)	
F23 (F22 10 to 12) [Type2] Sub function for batch weighing	10 11	Tare when start(1)	Initial settings are 11,21,31 and 40.
	20 21	Stop after Full by key(0)/Auto(1)	
	30 31	Over/Under judgment: After dribble flow(0) / Batch finish(1)	
	40 41	No function	
F24 Relay output selection	* 0	Over	Effective when F22 7,9,10 or 12.
	1	Under	
	2	Finish / Full (F22 9, 10, 12)	
F25 Batch finish output time	00 to 99	Relay on time by 0.1second step (00 : continuous to zero band)	Initial setting is 00.
F26 Zero band	-999999 to 999999		Initial setting is 0.

*: Initial settings.

Hold

Item	Parameter	Description	
F27 Hold mode	* 0	Not hold (Hold function is off)	
	1	Manual hold	
	2	Auto hold	
	3	Manual and Auto hold	
F28 Averaging time	00 to 99	Averaging time by 0.1second step (00 : hold at start time)	Initial setting is 00.

*: Initial settings.

Data Output

Item	Parameter	Description	
F30 Data output	* 0	No data output	
	1	Analog output	Set F31, 32, 33
	2	Serial output	RS-232C, RS-422/485
	3	Serial output (Zero suppressing)	

*: Initial settings.

Analog Output

Item	Parameter	Description	
F31 Output data	* 0	Displayed data	
	1	Gross data	
	2	Net data	
F32 Weight value at 4mA output	-999999 to 999999 (Initial setting is 0)		Polarity is changed by pressing the $\boxed{+/-}$ key.
F33 Weight value at 20mA output	-999999 to 999999 (Initial setting is 10000)		

*: Initial settings.

Serial Data Format

Item	Parameter	Description	
F34 [Type3] Serial data format 1 Initial value 19, 2E, 3A 4F E50	x 0	Terminator	
	x 1	Device ID (selected at F06)	
	x 2	Code number	
	x 3	Data number *	
	x 4	Result of comparison	
	x 5	Date	
	x 6	Time	
	x 7	Accumulated value	
F35 [Type3] Serial data format 2 Initial value 17 2F E30	x 8	Accumulation count	
	x 9	Stable / Over	
	x A	Displayed weight	
	x b	Gross weight	
	x c	Net weight	
	x d	Tare weight	
	x E	Weight type (G / N / T, refer to [F06])	
	x F	Weight unit (cf. [F07])	

$\boxed{\text{ZERO}}$ key :
order of output
(1-999)
“Exxx” indicates
the end of data
to output

$\boxed{\text{NET/GROSS}}$ key:
Expand or
shorten output
data length

$\boxed{0} - \boxed{9}$, $\boxed{A} - \boxed{F}$ key
output data

- The comma of the parameter display indicates that the comma (F46 0, semi-colon for F46 1) is output after the data. To turn this mark on and off, press the $\boxed{9}$ key while pressing $\boxed{\text{NET/GROSS}}$ key.
Output of the initial settings of F34(19, 2E, 3A 4F E50) is like “ST,GR,+12345.6kg”.
- The data number *(parameter 3) increments automatically with each serial data output from 1 to 99999 (the next of 99999 is 1). The starting number can be set using the keys.

Current Loop Output

Item	Parameter	Description
<i>F36</i> Output data	* 0	Displayed data
	1	Gross data
	2	Net data
	3	Tare data
	4	Gross data / Net data / Tare data
<i>F37</i> Output mode	0	Stream mode
	1	Manual mode
	2	Auto print mode(+)
	3	Auto print mode(+/-)
	4	When accumulation, automatically output
<i>F38</i> Delay for continual data	* 0	No delay
	1	2.0 seconds (<i>F36</i> 4, except <i>F37</i> 0)
<i>F39</i> Baud rate	0	600 bps
	1	1200 bps
	* 2	2400 bps

*: Initial settings.

bps: bit per second.

Serial Interface

Item	Parameter	Description			
F40 Output mode	* 0	Stream mode, command is not acceptable			
	1	Manual mode, command is effective			
	2	Auto print mode(+), command is effective			
	3	Auto print mode(+/-), command is effective			
	4	When accumulation, automatically output			
	5	Command mode (output by command only)			
F41 Accumulated data output at accumulated data display	0	No output			
	* 1	Manual, Fixed format			
	2	Auto, Fixed format			
	3	Manual, Format 1 (F34)			
	4	Auto, Format 1 (F34)			
	5	Manual, Format 2 (F35)			
F42 Delay for continual data	* 0	No delay			
	1	0.5 second			
	2	1.0 second			
	3	1.5 seconds			
	4	2.0 seconds			
F43 Command address	* 0	Not used			
	1	Use (Address determined F06)			
F44 Time out	* 0	Approx. 1 second			
	1	No limitation			
F45 Terminator	* 0	CR, LF (0Dh, 0Ah)			
	1	CR (0Dh)			
F46 D.P. / DelimiterSerial Interface, Internal Printer and Current Loop output		S. I/F and Internal Printer		Current Loop output	
		D.P.	Delimiter	D.P.	Delimiter
	* 0	Dot (.)	Comma (,)	Dot (.)	Comma (,)
	1	Comma (,)	Semicolon (;)	Dot (.)	Comma (,)
	2	Dot (.)	Comma (,)	Comma (,)	Semicolon (;)
	3	Comma (,)	Semicolon (;)	Comma (,)	Semicolon (;)
F47 Baud rate	0	600 bps			
	1	1200 bps			
	* 2	2400 bps			
	3	4800 bps			
	4	9600 bps			
F48 Data bit, parity	* 0	Data 7bits, Even parity			
	1	Data 7bits, Odd parity			
	2	Data 8bits, Non parity			

*: Initial settings.

bps: bit per second.

Calendar / Clock Function

Item	Parameter	Description	
F50 Time display	*0	12hrs. display (00 to 11, AM / PM)	
	1	24hrs. display (00 to 23)	
F51 Date format	*0	YY/MM/DD	
	1	MM/DD/YY	
	2	DD/MM/YY	
F52 Difference between Christian year	00 to 99	(Display/output year) – (Christian year)	2 digits Initial setting is 0.
F53 Print/output of year	*0	4digits(Numeric)	
	1	4digits(alphabets and year)	First 2digits specified at F54.
	2	4digits (alphabets and year)	Specify alphabet and format at F54.
F54 First 2ditigts of year	00 to 99	2digits number (F53 1) or alphabet, blank or dot	Effective F53 1 or 2

*: Initial settings.

Printer Function

Item	Parameter	Description	
F60 Printing Mode (Format 1)	0	Do not print	
	*1	Key (Manual)	
	2	Auto print (+)	
	3	Auto print (+/-)	
	4	When accumulation, automatically print	
	5	(Reserved)	no function
F61 Print accumulated display	0	Manual, format(extended)1	
	*1	Auto, format(extended)1	
	2	Manual, format(extended)2	
	3	Auto, format(extended)2	
F62 Repeat print	*0 0 to 9 9	0 (print x1) 9 (repeat print x 10)	Identical contents printed repeatedly Left : format 2 Right : format 1
	F63 Number of Paper Feed before Printing	*0 0 to 9 9	0 line 9 lines Left : format 2 Right : format 1
F64 Number of Paper Feed after Printing	*0 0 to 9 9	0 line 9 lines Left : format 2 Right : format 1	
F65 Print direction	*0	Normal	
	1	Inverted	

*: Initial settings.

Print Format

Item	Parameter	Description		
F70 [Type3] Print Format 1 Initial setting E1A0	x 0	No print	0 0 : Line feed only	
	x 1	Device number ID#	The number decided F06	
	x 2	Code number CD:x		
	x 3	Data number No.xxxxx		
	x 4	Judged result	HH/H /OK/L /LL (2 digits)	
	x 5	Date 11/11/11	YMD order decided F51	
	x 6	Time hh:mm:ss (AM or PM)		
	x 7	Accumulated value	07,17,27,57 only	
	x A	Displayed value G or N xxxx uu	Effective only with 0A,4A	
	x b	Gross weight G xxxx uu	Effective only with 0B,4B	
F71 [Type3] Print format 2 Initial setting 180, E270	x C	Net weight N xxxx uu	Effective only with 0C,4C	
	x d	Tare Weight	Effective only with 0D,4D	
	0 x	No print		
	1 x	Device number	Not effective with 1A – 1D	
	2 x	Code number	Not effective with 2A – 2D	
	3 x	Data number	Not effective with 3A – 3D	
	4 x	Judged result	HH/H /OK/L /LL (2 digits)	
	5 x	Date	Effective only with 50 to 54 and 56	
	6 x	Time	Effective only with 60 to 64	
	7 x	Accumulated value	Total xxxx uu	
10 ² =Printing order 10 ¹ =Left side 10 ⁰ =Right side	8 x	Accumulation Number xxx		
	A x	Displayed value	G or N xxxx uu	
	b x	Gross weight G xxxx uu		
	C x	Net weight N xxxx uu		
	d x	Tare Weight T xxxx uu		
	Exxx=End line mark	9 1	+	Print specified letters in one line(16 digits).
		9 2	-	
9 3		*		
9 4		/		
9 5		=		
9 6		.		
9 7		#		
9 A	Signature	'Signature' and 3 line feed .		

- 2 data sets can be printed in one line, the data printed at left side or right side. Some data set occupy one line (weight data, accumulated data, 4-digit year stile etc.).
- The printed data can include some symbols or characters with the numerical data.
- A blank line can be set with parameter "00" in the printed lines. At the beginning or ending of the print data, line feed can be set by F63 or F64 separately using format 1 and 2.
- The data number automatically increases by one after print out of the data group.
- The first line is placed at the bottom of the line with inverted print mode(F65 1).



6.3. CF-Functions

Item	Parameter	Description
CF00 Zero tracking width, motion detection condition	* 0	No limitation
	1	Use limitation at F01, F02, F03, F27 and F28.
CF01 Zero range Turning display on, the range to zero display.	* 0	±2% of CAP, Tare limit is 100 % CAP
	1	±10% of CAP, Tare limit is 100 % CAP
	2	±3% of CAP, Tare limit is 50 % CAP
	3	±4% of CAP, Tare limit is 50 % CAP
CF02 Power on zero range Turning the display on, the range to zero display.	0	Not to zero when turning the display on.
	* 1	±10% of CAP
	2	± 3% of CAP
CF03 Zero tracking	0	Gross when displaying gross.
	1	Gross
	* 2	Gross or Net when displaying net.
CF04 TARE, ZERO in motion / TARE at negative gross value	TARE, ZERO in motion / TARE at negative gross	
	* 0	Not accepted / Not accepted
	1	Execute / Not accepted
	2	Not accepted / Execute
CF05 Output on overload and unstable state.	* 0	Not to output data at unstable value or overload. Effective in key mode.
	1	To output data always.
CF06 Header 2	GROSS / NET / TARE / Preset TARE	
	* 0	GR / NT / TR / TR
	1	GR / NT / TR / PT
CF07 Number of unit digits	* 0	Two digits
	1	Three digits
CF08 Accumulation function	* 0	Not used (Ineffective)
	1	Used (Effective)
CF09 Digital Tare(PT)	* 0	Used (Effective)
	1	Not used (Ineffective)

CAP : maximum capacity

*: Initial settings

Power on ZERO (CF02)

CF02 0 After power on, the weight display starts immediately.

CF02 1,2,3 When the zero range is exceeded at power on, ----- is displayed.
Press the ESC key to start the weight display.



7. Tare

- The function is used to display a net value with the container weight subtracted from the total weight, if you place an object into a container to weigh it.
- Using a serial interface such as the RS-232C, you can do this from the external equipment.

Caution

- When turning the display off with [F02 1, 2 or 3], the tare data is cleared.
- When turning the power off, the tare data is cleared.

7.1.1. Weighing Tare

Operation Place the tare on the weighing unit. Press the **TARE** key to store the tare weight after the STABLE mark turns on. The display changes to net.

Caution

- When displaying a negative gross value, tare can not be used (normally). To enable tare at zero or a negative gross value, select a [F 04] parameter.

7.1.2. Digital Input (Preset Tare)

Caution

- The input value is rounded off to the unit of division(weighing interval).
- In the case of [F02 1, 2 or 3] (power-on zero), the displayed value will be zeroed when turning the display on.
- When using a multi-interval scale, the usable input range is the first range.
- In the case of [F09 1] (To inhibit preset tare), preset tare can not be used.
- Preset tare is stored as one of the Code Memory data. Refer “9. Code Memory”.
- Preset tare value can be set via the serial interface.

Step 1 Press the **PT** key to display the stored tare value.

When tare is cleared or is not used, the value is zero.

Step 2 Enter a new tare value using the **0** - **9** keys.

ENTER key The key to store a new tare value.

The net is displayed.

ESC key The key to return to weight display without changing the stored value.

7.1.3. Clearing Tare

- When pressing the **TARE** key while gross is zero, tare is cleared and gross is displayed.
- When zeroing with the **ZERO** key, tare is cleared.



8. Accumulation

This function accumulates weighing data and stores the total data and the accumulation count. The data is stored in non-volatile memory, and is not lost even if the power is turned off.

8.1.1. Preparation and Specifications

Set the following parameters to use the accumulation function.

- Select $[F08]$ for the CF-function so that the accumulation function becomes effective.
- Specify the method of accumulation and data at $F20$ of the F-functions.
- Specify the inhibit region for accumulation at $F21$ of the F-functions.

Selection of Accumulation Mode, F20 of the F-functions

- There are two methods of accumulation; manual accumulation using the $[M+]$ key and automatic accumulation.
- The accumulated data can select "positive data only" or "both polarity data".
- The accumulated data can select "result of comparison is OK only" or "all result".

Accumulation Condition, F21 of the F-functions

- In the case of manual accumulation mode, press the $[M+]$ key to accumulate weight data when the STABLE mark is displayed.
- Data can be accumulated after the weight data enters the "inhibit region for output". When connecting the power cord and turning the display on, the accumulation mode takes the same action.

Inhibit region for accumulation	$F21$	Description
Add data anytime	$F21 0$	Stable data can be used anytime
Above ± 5 d	$F21 1$	Initial setting
Above ± 10 d	$F21 2$	
Above ± 20 d	$F21 3$	
Above ± 50 d	$F21 4$	

- Caution**
- Do not set $F21 0$ for the automatic accumulation mode
 - If setting $F21 0$, it may add the same data two times or more.

Limitation of Accumulation Count and Total

- The limitation of accumulation count is 999999.
The limitation of total is ± 999999 ignoring the decimal point.
- If exceeding these limitations, the data is not accumulated.
Example: Setting the decimal point to "0.0", the limitation is "99999.9".

8.1.2. Display and Operation

Action of Accumulating Data

- When accumulating data, the display blinks once.
If the accumulated data is stored, the M+ mark is displayed.

Caution □ **This function can not accumulate data with a different unit. Specify a unit before use.**

Display of Accumulated Data

- When setting to $\overline{EF08}$ 1 (Effective accumulation function) and pressing the $\overline{\text{TOTAL}}$ key, $\overline{\text{TOTAL}}$ is displayed and the total data is displayed with the M+ mark blinking. Pressing the $\overline{\text{TOTAL}}$ key alternatively displays the accumulated data and the accumulation count. Pressing the $\overline{\text{ESC}}$ key, the weight data is displayed.
- The total data can be output. Refer to "Output of Accumulation Data".

Undoing the Accumulation Data

- The last weight data can be deduced from the accumulated data unless new data has been accumulated.

Step 1 Press the $\overline{\text{TOTAL}}$ key to display $\overline{\text{TOTAL}}$ and the accumulated data.

Step 2 Press and hold the $\overline{+/-}$ key for more than 3 seconds. The display blinks once and the data accumulated before accumulating the last weight data is displayed.

Caution □ **External input can not be used.**

Clearing the Accumulation Data

Step 1 Press the $\overline{\text{TOTAL}}$ key to display $\overline{\text{TOTAL}}$ and the accumulated data.

Step 2 Press and hold the $\overline{\text{ZERO}}$ key more than 3 seconds. The display blinks once and the accumulated data is cleared.

Caution □ **External input can not be used.**

Initializing the Data Number and Clearing the Accumulation Data at the same time

- When the data number is included with the data of the serial data output or the printer, initializing the data number and clearing the accumulated data can be done at same time.
- If using both serial output and printer data number, all data numbers are initialized by this operation.

Step 1 Press $\overline{\text{TOTAL}}$ key to display $\overline{\text{TOTAL}}$ and the accumulated data.

Step 2 Press and hold the $\overline{\text{ZERO}}$ and $\overline{+/-}$ keys at the same time for more than 3 seconds. The display blinks once and the accumulated data is cleared. And the data number is initialized (1).

Caution □ **External input can not be used.**

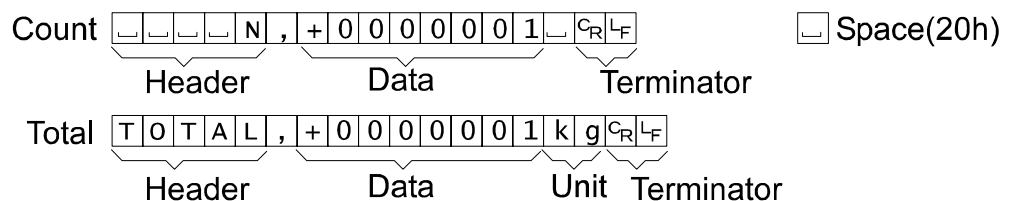
Output of Accumulated Data

- Accumulated data can be output to the serial interface.
- Output by manual or automatic, and output data format is selected at *F41* of the F-function setting.

<i>F41</i>	Parameter	Manual/Automatic	Format
Accumulated data output at accumulated data display	0	No output	
	* 1	Manual	Fixed format
	2	Automatic	
	3	Manual	Format 1(selected at <i>F34</i>)
	4	Automatic	
	5	Manual	Format 2(selected at <i>F35</i>)
6	Automatic		

- Step 1 Press the **TOTAL** key to display **total** and the accumulated data.
- Step 2 If automatic output is set, the data is output once at that timing.
- Step 3 If manual output, by pressing the **PRINT** key while the accumulated data is displayed, the data is output.

Fixed data format :



Print out of Accumulated Data

- Accumulated data can be print out by the internal printer.
- Print out by manual or automatic, and output print format is selected at *F61* of the F-function setting.

<i>F61</i>	Parameter	Manual/Automatic	Format
Accumulated data print out at accumulated data display	0	No printout	
	1	Manual	Format 1(selected at <i>F70</i>)
	2	Automatic	
	* 3	Manual	Format 2(selected at <i>F71</i>)
	4	Automatic	

- Step 1 Press the **TOTAL** key to display **total** and the accumulated data.
- Step 2 If automatic print is set, the data is printed out once at that timing.
- Step 3 If manual print, by pressing the **PRINT** key while the accumulated data is displayed, the data is printed out.



9. Code Memory

- This indicator has four Code memories (1 through 4). Each Code memory stores a set of setpoints, preset tare and the unit weight for piece counting.
- The data is stored in non-volatile memory, and is not lost even if the AC power supply is disconnected or cut off.
- Memory number 0 is a temporary memory and the data is lost when the AC power supply is disconnected or cut off.
- The active code memory number can be changed by key switch, external control input, or a command via the serial interface.
- The data set can be copied from one code memory to another code memory.

9.1.1. Using Code Memory

Step 1 Pressing the **CODE** key at the weight display, **[d x]** is displayed with the present code memory number x blinking. Using the following keys:

- 0 - 4** keyThe key to input the code memory number.
- CLEAR** keyThe key to reset the code memory number (0).
- +/-** keyThe key to copy the data set to another code memory number. Proceed to step 3.
- ESC** keyThe key to return to the weight display.
- ENTER** keyThe key to set the code memory number, stop blinking. Proceed to step 2.

Step 2 The code memory number is set and the blinking stops. Using the following keys:

- SETPOINT** keyThe key to set the comparison data. Refer "10.1.2. Setting Upper/Lower Limit Value".
- PT** keyThe key to set the preset tare data. Refer "7.1.2. Digital Input".
- ESC** keyThe key to return to step 1.
- ENTER** keyThe key to store the selected code memory number's data and to return to the weight display.

Step 3 **CoPY** is displayed for 2 seconds and then **[x-y]** is displayed with "y" blinking. Using the following keys:

- 0 - 4** keyThe key to input the code memory number to be stored.
- ESC** keyThe key to return to step 1.
- ENTER** keyThe key to copy number x's data to number y and to return to step 1.

Changing the Code Memory Number by External Input

- The code memory number can be changed by external input from OP-05 or OP-08.
- Set $F 14$ and $F 15$ to 18 . (OP-08 has only one input; set $F 15$)
- $F 13 18$: Inhibit reading EXT.2 and EXT.3 to prevent unintentional reading when switching the codes.

EXT.2 ($F 14$)	EXT.3 ($F 15$)	Code Memory number
ON	ON	1
OFF	ON	2
ON	OFF	3
OFF	OFF	4



10. Comparison

- This function has the "upper / lower comparison", the "5-stage (HiHi / Hi / OK / Lo / LoLo) comparison", the "setpoint comparison" and the "simple batch". They compare the weight data with preset parameters and can output the result of the comparison to the display and buzzer, also to the relay-outputs of OP-03, OP-05 and OP-08.
- Set the F-function $F 22$ and $F 23$ to use the "upper / lower comparison", the "5-stage (HiHi / Hi / OK / Lo / LoLo) comparison" (these two comparison methods will be combined and hereafter be called the "Weight check mode"), and $F 22$ through $F 26$ to use the "setpoint comparison" and the "simple batch".
- Data is stored in non-volatile memory and is not lost even if the AC power supply is disconnected or cut off.



10.1. Weight Check Mode

- This function compares the weight data with the upper and lower limit values (upper/lower limit comparison) or four limit values of HiHi, Hi, Lo and LoLo (5-stage comparison), and displays, sounds the buzzer and/or outputs the results to the three relays of HI, OK and LO. Use this comparison when judging whether a weight is proper.
- Set the F-function $F 22$ to $1, 2$ or 3 to use upper/ lower limit comparison and $F 22$ to $4, 5$ or 6 to use 5-stage comparison.
- Select a parameter of the F-function $F 23$ for the comparison condition.
- Set the F-function $F 26$ (zero band) if setting $F 23 10$ (not to compare in the zero band).
- Specify the upper and lower limit / HiHi, Hi, Lo, LoLo limit values.
- When entering the limit value(s), it is not necessary to enter the F-function $F 22$ and $F 23$ again unless comparison conditions are changed.

- There are 3 type of setting values for each comparison.
 - (1) Set the limit value (upper and lower limit / HiHi, Hi, Lo, LoLo limit).
 - (2) Set the Target value and an acceptable tolerance (upper and lower) in weight.
The limit value is calculated automatically.
 - (3) Set the Target value and an acceptable tolerance (upper and lower) in percentage of the target weight. The limit value is calculated automatically.
- Example. Target = 50kg, Upper limit = 51kg, Lower limit = 48kg
- (1) Hi (Upper limit): 51 (kg), Lo (Lower limit): 48 (kg)
 - (2) TG (Target): 50 (kg), Hi (Upper acceptable tolerance): 1 (kg),
Lo (Lower acceptable tolerance): 2 (kg) not a negative value
 - (3) TG (Target): 50 (kg), Hi (Upper acceptable tolerance): 2 (% of Target), Lo
(Lower acceptable tolerance): 4 (% of Target) not a negative value

10.1.1. Condition formula for Comparison

Comparison is performed based on the following formula.

Upper/lower comparison

Judge	Condition Formula	Display	Output
HI	Upper limit (Hi limit) value < Displayed value	HI	HI
OK	Lower limit value \leq Displayed value \leq Upper limit value	OK	OK
LO	Displayed value < Lower limit (Lo limit) value	LO	LO

5-stage comparison

Judge	Condition Formula	Display	Output
HiHi	HiHi limit value < Displayed value	HI, ▼2	HI
HI	Upper limit (Hi limit) value < Displayed value	HI	HI, OK
OK	Lower limit value \leq Displayed value \leq Upper limit value	OK	OK
LO	Displayed value < Lower limit (Lo limit) value	LO	LO, OK
LoLo	Displayed value < LoLo limit value	LO, ▼3	LO

- The decimal point is not considered. Example: If the upper limit value is 10.0, enter 100.
- These parameters are stored in non-volatile memory, and are not lost even if the AC power is disconnected or cut off (except code 0 memory).
- When the displayed value becomes an overload (positive over), HI (over) is output. When the displayed value becomes an under load (negative over), LO (under) is output.
- This function compares the Hi / HiHi limit value first.
- This function does not check the relationship between the upper and lower limit values.

10.1.2. Setting the Upper/Lower Limit Values

Step 1 By pressing the **SETPOINT** key, the selected code memory number is displayed and the first comparison class term (ex. Hi, TG etc.) is blinking.

Step 2 Select the comparison class using the following keys:

SETPOINT keyThe key to select a comparison class.

ESC keyThe key to return to the previous stage (weight display or code memory number select).

ENTER key.....The key to proceed to step 3.

Step 3 Set the setpoint values using the following keys:

0 - 9 key.....The key to enter a value.

ESC keyThe key to proceed to the next comparison class (step 2) without changing the set value.

ENTER key.....The key to store the value and proceed to the next comparison class (step 2).

Setting Order and Display for Weight Check Mode

F22	MODE	Display	1	2	3	4	5
1	Upper Lower 1	Setpoint	Upper	Lower			
		Class	Hi	Lo			
		Comparator	HI	LO			
2	Upper Lower 2	Setpoint	Target	Upper	Lower		
		Class	TG	Hi	Lo		
		Comparator	OK	HI	LO		
3	Upper Lower 3	Setpoint	Target	Upper	Lower		
		Class	TG	Hi	Lo		
		Comparator	OK	HI	LO		
		Unit		%	%		
4	5-stage 1	Setpoint	HiHi	Hi	Lo	LoLo	
		Class	HH	Hi	Lo	LL	
		Comparator	HI	HI	LO	LO	
		Triangle	2			3	
5	5-stage 2	Setpoint	Target	HiHi	Hi	Lo	LoLo
		Class	TG	HH	Hi	Lo	LL
		Comparator	OK	HI	HI	LO	LO
		Triangle		2			3
6	5-stage 3	Setpoint	Target	HiHi	Hi	Lo	LoLo
		Class	TG	HH	Hi	Lo	LL
		Comparator	OK	HI	HI	LO	LO
		Unit		%	%	%	%
		Triangle		2			3

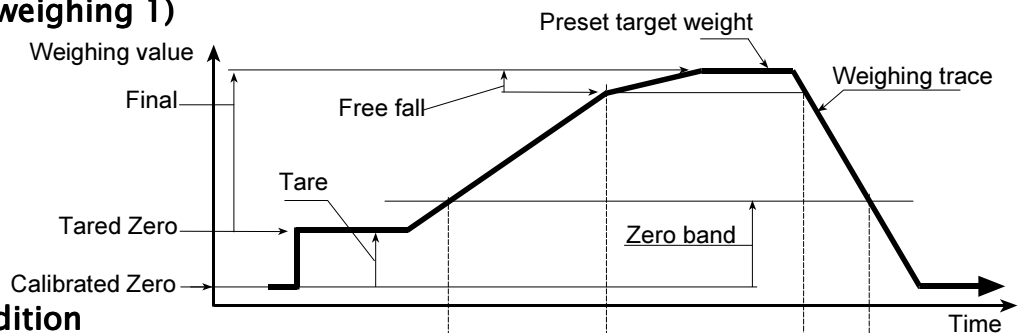


10.2. Setpoint Comparison

- This function includes the weighing sequence and is used for acquiring a preset target weight.
- There are four parameters of "Final", "Preliminary", "Free fall" and "Zero band" that use the setpoint comparison.
- The result of the sequence is output to the three relays of OP-03, Op-05 or OP-08.
- When entering these parameters, it is not necessary to enter the F-function $F22$ again unless comparison conditions are changed.

10.2.1. Description of Input parameters and Outputs

F22 = 7 (Check weighing 1)



Output and Condition

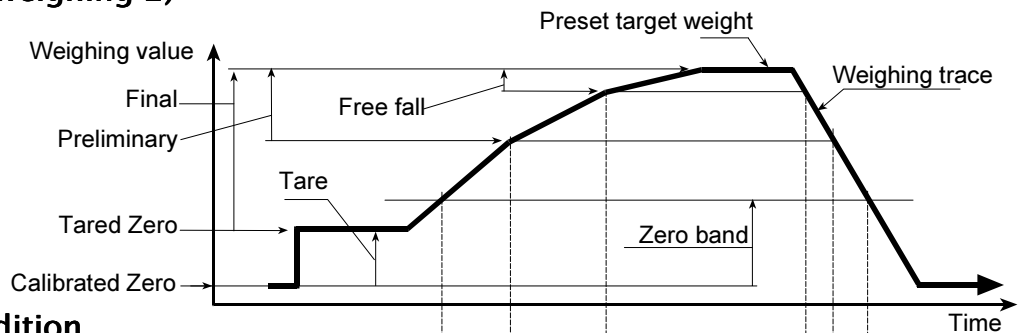
Relay HI, ▼1, $\text{Net} \geq (\text{Final} - \text{Free fall})$	OFF	ON	OFF
Relay LO, ▼ Gross < Zero band	ON	OFF	ON

Relay OK output can be changed to OVER or UNDER by setting $F24$.

Triangle ▼2 is not displayed.

OVER/UNDER is judged always and the result is output to the LED and the relay.

F22 = 8 (Check weighing 2)

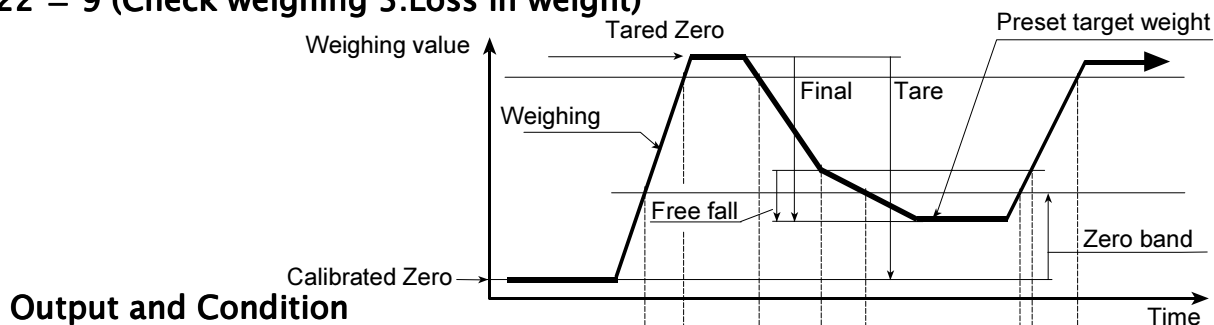


Output and Condition

Relay HI, ▼1, $\text{Net} \geq (\text{Final} - \text{Free fall})$	OFF	ON	OFF
Relay OK, ▼2, $\text{Net} \geq (\text{Final} - \text{Preliminary})$	OFF	ON	OFF
Relay LO, ▼3, Gross < Zero band	ON	OFF	ON

OVER/UNDER is judged always and the result is output to the LED but not to the relay.

F22 = 9 (Check weighing 3:Loss in weight)



Output and Condition

Relay HI, ▼1, -Net \geq - (Final - Free fall)	OFF		ON		OFF
Relay LO, ▼3, Gross < Zero band	ON	OFF		ON	OFF
Relay OK*, ▼2, Gross \geq Full	OFF	ON	OFF		ON

* Relay OK output can be changed to OVER or UNDER by setting $F24$.

Triangle ▼2 is displayed when Gross \geq Full regardless of the $F24$ setting.

OVER/UNDER is judged always and the result is output to the LED and the relay.

10.2.2. Simple Batch

The weighing sequences of simple batch ($F22$ 10, 11 or 12) are similar to those of Check weighing ($F22$ 7, 8 or 9) respectively. The differences are listed below.

- 1 Basically ON/OFF of the relay and the LED are reversed.
- 2 No judgment other than Zero band and Full before input of the Start signal.
- 3 The weighing completion condition is set by $F23$ 2x and it is effective after Start.
- 4 The outputs of Preliminary and Free fall are off from weighing completion to the next start.
- 5 Weighing completion can be output by setting $F24$ and $F25$.
- 6 The start signal can be accepted after weighing completion even if the weight is not within the zero band.
- 7 Over/Under output is set by $F23$ 3x.

Start

Tare, when the Start is input automatically if $F23$ 11.

The READY mark turns off when the Start is input.

Weighing Completion

The weighing completion condition is set by $F23$ 2x.

$F23$ 20 : Either the STOP key is pressed or the Batch stop input is on.

$F23$ 21 : Stable is detected after reaching Final.

Before reaching Final, the **STOP** key or Batch stop input forces weighing completion even if $F23$ 21.

Toward the Zero band

Preliminary and Free fall output are holding the off state.

Over/Under comparison starts. If $F23$ 30, judgment starts when Free fall turns on.

The judgment is not latched and the output is according to the state at the time.

The Weighing completion relay is turned on if $F24$ 2. The on time is set by $F25$.

The READY mark is blinking regardless of the settings of $F24$ and $F25$.

Start is may be accepted at this state.

Returns to Zero band

Over/Under and Weighing completion output is off.

The READY mark is turned on.

10.2.3. Setting the Parameters of Setpoint Comparison

Refer to "10.1.2. Setting Upper/Lower Limit Values".

The zero band value is set at $F26$ of the F-Functions, and the value does not belong to a specific code memory, but is used commonly.

Setting Order and Display for Setpoint Comparison and Simple batch

$F22$	MODE	Display	1	2	3	4	5
7	Setpoint Comparison 1	Setpoint	Final	Free fall	Over	Under	
		Class	Fi	FF	Hi	Lo	
		Comparator	OK		HI	LO	
		Triangle▼		1			
8	Setpoint Comparison 2	Setpoint	Free fall	Preliminary	Over	Under	Under
		Class	Fi	FF	Pr	Hi	Lo
		Comparator	OK			HI	LO
		Triangle▼		1	2		
9	Setpoint Comparison 3	Setpoint	Final	Free fall	Full	Over	Under
		Class	Fi	FF	Fu	Hi	Lo
		Comparator	OK			HI	LO
		Triangle▼		1	2		
10	Simple Batch 1	Setpoint	Final	Free fall	Over	Under	
		Class	Fi	FF	Hi	Lo	
		Comparator	OK		HI	LO	
		Triangle▼		1			
11	Simple Batch 2	Setpoint	Final	Free fall	Preliminary	Over	Under
		Class	Fi	FF	Pr	Hi	Lo
		Comparator	OK			HI	LO
		Triangle▼		1	2		
12	Simple Batch 3	Setpoint	Final	Free fall	Full	Over	Under
		Class	Fi	FF	Fu	Hi	Lo
		Comparator	OK			HI	LO
		Triangle▼		1	2		



11. Hold Function

- This function displays the hold weight data after averaging the weight data for a specific period.
- Useful to determine a living animal's weight.
- Averaging time can be set up to 9.9 seconds by a 0.1 second step.
- 3 methods are available to start averaging; manual start, start automatically after stable and manual / automatic start.
- Manual start is available with key switch or external input.
- Serial interface commands are also available; averaging start, releasing the hold data and outputting the hold state. Refer "16.3.4. Commands for Hold Function".

- Caution**
- **This function can not be use under the setting with [F00 1].**
 - **Averaging can not start at a displayed value smaller than +/- 5 digits.**
 - **Data when the display is over is not included for averaging.**
 - **When powered off, the hold is released automatically.**
 - **There is no peak hold function.**

The Display and the Data Output of Hold and Average

- The weight display is blinking during the averaging period.
- The output data in the averaging period is the actual weight at the time.
- The weighing unit is blinking when the weight display is in the hold state.
- The output data format of the hold weight data is the same as that of the normal weight data except the header of stable state is "HD" in the response to the "RW" or "RW,n"(n=1 or 2) command.

Relations to the Other Functions

- If automatic accumulation (F20 2 1) and/or auto print (F37 2, 3 F40 2, 3) is set, accumulation and/or data output is performed after determining the hold data.

11.1.1. Setting the Hold Functions

- F27 determines the method of starting the average.
 - F27 1 Manual start: Start the average and release with key switch operation.
 - F27 2 Automatic start: After passing the inhibit region * and detect stable **, starts the average automatically, releasing the data when the weight returns to inhibit region.
 - F27 3 Both Manual start and Automatic start.
- *Inhibit region 0 +/- 5digit
**Stable detection Satisfied both F02 and F03

- *F28* determines the averaging time by 0.1second step. *F28 0* holds the data at averaging start.
- The key switch function as the HOLD key (Average start or release holding data) is by pressing the **TOTAL** key while pressing the **ENTER** key.
- The external input function of averaging start is *19* and hold release is *20* of *F 13*, *F 14* and *F 15*. The function is accepted at the off to on edge of the external input.

Conditions of the Average and Release

The method to start/stop the average and release the hold state depends on the *F27*.

Condition	<i>F27 1</i>	<i>F27 2</i>	<i>F27 3</i>
Average start in the inhibit region	No	No	No
Average start with key switch (including unstable)	Yes	No	Yes
Average start with ext. input (including unstable)	Yes	No	Yes
Average start with command (including unstable)	Yes	Yes	Yes
Average start after passing the inhibit region and stable	No	Yes	Yes
Weight is entering the inhibit region at averaging	Continue	Stop	Stop
Weight is entering to over at averaging	Pending	Stop	Pending
Hold key input at averaging	Stop	Stop	Stop
Release input from external input at averaging	Stop	Stop	Stop
Release command input at averaging	Stop	Stop	Stop
Hold key input at hold	Release	Release	Release
Release input from external input at hold	Release	Release	Release
Release command input at hold	Release	Release	Release
Weight is entering the inhibit region at hold	Continue	Release	Release
Weight is going to over at hold	Continue*	Continue*	Continue*

Pending: Suspend the count up timer and do not average under the condition.

Release: Key, ext. input and command are effective at over display.

Continue*: Continue hold, but over display.

Key input and command in the hold state

Release hold and perform key function:

Keys: TARE, ZERO, SETPOINT, TOTAL

Commands: MT, MZ, HC

Continue hold and perform key functions

Keys: NET/GROSS, Accumulation, Comparison start/stop

Commands: Other commands



12. Counting Function

This function determines the number of objects in a sample based on the unit weight. The unit weight is stored in one of the code memory data in non-volatile memory, and is not lost even if the AC power supply is disconnected.



12.1. Using the Counting Function

- Preparation: Set $F07$ 1 in the F-Functions.
- Select a code memory number. Refer to “9.1.1. Using Code Memory”.
- Register the unit weigh. Refer to “12.2. Unit Weight Registration”.
- Press the **MODE** key to enter the counting mode. The unit in the display changes to pcs.
- In the counting mode, TARE, ZERO, NET/GROSS and other operations are the same as that in the normal weighing mode.



12.2. Unit Weight Registration

- There are two methods to register the unit weight. One is to weigh the actual samples for unknown object's unit weight and the other way is by digital input of the unit weight by key or via the serial interface.
- The unit weight is one item of the code memory data. Select the code memory number and start the unit weight registration in the weight display or piece count display. The unit weight registration can not be done from the code memory number display.
- There is no counting accuracy improvement function by re-calculating the unit weight based on the actual weight.

Weigh Actual Samples

When the unit weight is unknown, prepare some samples to determine the unit weight.

Step 1 Enter the counting mode.

Step 2 Press the **SAMPLE** key to enter the unit weight registration. 50 or $5-$ is displayed and unit pcs blinks. The left side of the display is the number of samples. The right side of the display indicates the weight, 0 means that the weight is zero and $-$ means that the display is not at zero.

Step 3 Select the number of samples and place the samples specified on the weighing sensor unit. Using following keys:

$0-9$ key.....The key to set the number of samples. Maximum is 9999.

$+/-$ key.....The key to select the number of samples, 5, 10, 20, 50,100.

ZERO key.....The key to set the zero point.

TARE key.....The key to tare. When using a container.

ENTER keyThe key to register the unit weight and return to the piece count display. The unit weight is calculated automatically with the weight and the number of samples.

Press the **ESC** key while pressing **+/-** key

The key to return to the piece count display without changing the unit weight.

- Notes**
- It is preferable to have a large number of samples, to minimize the counting error.
 - Press the **ENTER** key after the STABLE mark turns on.
 - If the total weight of the samples is too light and is not adequate to be used as the unit weight, **LoUt** is displayed for 2 seconds and returns to the registration display.

Digital input

When the unit weight is already known, digital input is available.

Step 1 Start with the normal weight mode.

Step 2 Press the **SAMPLE** key to enter the digital input of the unit the weight. **U xxx** and the weight unit is displayed with unit pcs blinking. Using following keys:

0 - 9 keyThe key to set the unit weight. Maximum is 5 digits.

+/- keyThe key to select the weighing unit of the unit weight.

ZERO keyThe key to clear the digital input. **U - - - -** is displayed.

ESC keyThe key to return to the normal weight display without changing the registered unit weight.

ENTER keyThe key to register the unit weight and return to the normal weight display.

Press the **MODE** key while pressing the **+/-** key The key to shift the decimal point.



13. Calendar / Clock

The AD-4405 has a built-in calendar/clock backed up by a lithium battery. The calendar/clock continues to operate with AC power turned off. Leap years are automatically corrected. The time and date can be added to the data output and optional built-in printer output.



13.1. Time and Date Functions

Item	Parameter	Description	
<i>F50</i> Time display	*0	12hours (00-11 AM/PM)	Display, serial data output and print output
	1	24hours (00-23)	
<i>F51</i> Date format	*0	YY/MM/DD	Display, serial data output and print output
	1	MM/DD/YY	
	2	DD/MM/YY	
<i>F52</i> Difference between Christian year	00 to 99	(Display/output year) – (Christian year)	Last 2 digits Initial setting is 0.
<i>F53</i> Print/output of year	*0	2digits	
	1	4digits (Numeric)	First 2digits specified at <i>F54</i> .
	2	4digits (alphabets and year)	Specify alphabet and format at <i>F54</i> .
<i>F54</i> First 2ditigts of year	00 to 99	2digits number (<i>F53</i> 1) or alphabet, blank or dot	Effective <i>F53</i> 1 or 2

F52 : The display or output year is calculated using the following formula.

Display/output year = (Christian era) + (*F52*)

Example 1: Christian era = (20)05, *F52* 10 then display/output year = (20)15

Example 2: Christian era = (20)05, *F52* 99 then display/output year = (20)04

Keep the internal year in Christian era format because the leap year correction is made based on the Christian era.

F53 and *F54* : 2 characters can be added preceding the internal year to the output of the year.

Additional characters are set at *F54*. A 4 digit year can not be displayed.

F53 0 Add no character, output year is 2 characters.

F53 1 Add 2 digit numeric characters. The 2 digits number does not increment automatically if the internal year changes from 99 to 00.

Example: Setting *F54* 20, internal year (after *F52* calculate) = 05,
output year = 2005

F53 2 Add 2 digit alphabetical characters including space or dot. There are 3 types, a character and a space, a character and a dot, and one space and a character. Setting specifies 2 digit numbers from the next table. If the set number is excluded from the table at *F54*, two spaces are output.

Output characters and *F54* setting (*F53 2*) (_ : space)

Out	<i>F54</i>	Out	<i>F54</i>	Out	<i>F54</i>	Out	<i>F54</i>	Out	<i>F54</i>	Out	<i>F54</i>
A_	01	N_	14	A.	31	N.	44	_A	61	_N	74
B_	02	O_	15	B.	32	O.	45	_B	62	_O	75
C_	03	P_	16	C.	33	P.	46	_C	63	_P	76
D_	04	Q_	17	D.	34	Q.	47	_D	64	_Q	77
E_	05	R_	18	E.	35	R.	48	_E	65	_R	78
F_	06	S_	19	F.	36	S.	49	_F	66	_S	79
G_	07	T_	20	G.	37	T.	50	_G	67	_T	80
H_	08	U_	21	H.	38	U.	51	_H	68	_U	81
I_	09	V_	22	I.	39	V.	52	_I	69	_V	82
J_	10	W_	23	J.	40	W.	53	_J	70	_W	83
K_	11	X_	24	K.	41	X.	54	_K	71	_X	84
L_	12	Y_	25	L.	42	Y.	55	_L	72	_Y	85
M_	13	Z_	26	M.	43	Z.	56	_M	73	_Z	86

Example: Set *F54 38*, internal year (after *F52* calculation) = 17,
output year = H.17



13.2. Setting Time and Date

Step 1 By pressing the **PT(4)** key while pressing the **PRINT** key, **ⓧ** will be displayed. Use the following keys.

MODE key The key to select time(**ⓧ**) or date(**DATE**) to set.

ESC key The key to return to the weight display.

ENTER key The key to proceed to step 2 (**ⓧ**) or step 3 (**DATE**).

Step 2 The present time is displayed with *F50* setting and is updating. A triangle indicates AM (triangle 2) or PM (triangle 3) and no triangle is displayed in 24 hour setting. Set the time using the following keys. Once an effective key is entered, the time stops updating.

0 - 9 key The key to set the value at the blinking digit, after that the blinking digit shift to the right. (Illegal numbers are ignored.)

+/- key The key to shift the blinking digit to the right (including the triangle).

CLEAR key The key to reset the settings and displays the present time.

MODE key The key to change AM and PM when triangle 2 or 3 is blinking.

ESC key The key to return to **ⓧ** display without changing the time settings.

ENTER key The key to store the time then return to the **ⓧ** display.

Step 3 After displaying the date format for 2 seconds, the present date is displayed in *FS1* format. The *FS2* parameters are effective in the setting mode. Set the date using the following keys.

0 - 9 key The key to set the value at the blinking digit, then the blinking digit shifts to the right. (Illegal numbers are ignored) .

+/- key The key to shift the blinking digit to the right.

CLEAR key The key to reset the parameters and display the present date.

ESC key The key to return to **DATE** display without changing the date settings.

ENTER key The key to store the date then return to the **DATE** display. If the date display has some illegal numbers, store with the correction below.

Correction The days corrected to the 1st day of the next month:
 Month 4, 6, 9, 11 and day 31.
 Month 2 and day bigger than 28 or 29(leap year).
 Leap year is the multiple of 4 of Christian era (00, 04, ..., 96).

Example:
When inputting the following data,

05	04	31	ENTER
YY	MM	DD	

the corrected date is as follows:

05	05	01
YY	MM	DD



14. Internal Printer (OP-06)

A dot matrix type printer (OP-06) can be installed in the AD-4405. It can print out the result of weighing, accumulated weight, date and time, etc. The print format can be arranged by the F-Function settings or by using the serial interface command.

Print

- When in the manual print mode, by pressing the **PRINT** key to print in format 1, and pressing the **MODE** key while pressing the **PRINT** key, the print out is done using format 2.
- The print out format is set at *F70* for format 1 and at *F71* for format 2 of the F-Functions.
- The print out format can be set using the serial interface (OP-03, OP-05 and/or OP-08). Refer to “16.3.5. Commands to Set the Data Output/ Print Format (UFC)”.
- The number of repeated printings of the same contents separately, in format 1 and format 2, can be set at *F62*.
- The number of lines that feed before or after the print out separately, in format 1 and format 2, can be set at *F63* and/or *F64*.
- The direction of the characters can be set at *F65*.

Examples

All characters

```
* PRINTER TEST *
!"#$%&'(>*,.-,./
0123456789:;<=>?
@ABCDEFGHIJKLMNO
PQRSTUVWXYZI#J^K^_
`abcdefghijklmnop
Pqrstuvwxyz0123456789~
```

Date, time, data number, code, gross and net

```
2005/03/21
10:34:56AM
No.      8      CD:3
G        567.8 kg
N        423.9 kg
```

Initial setting print out

```
G    1234.5 kg
```

Parameters 92 and 95

```
-----
2005/03/21  CD:3
Acc.N 000043
TOTAL
          567.89 kg
=====
```

```
Acc.N 000067
TOTAL
          890 t
```

Installing the Printer Paper (Special roll paper)

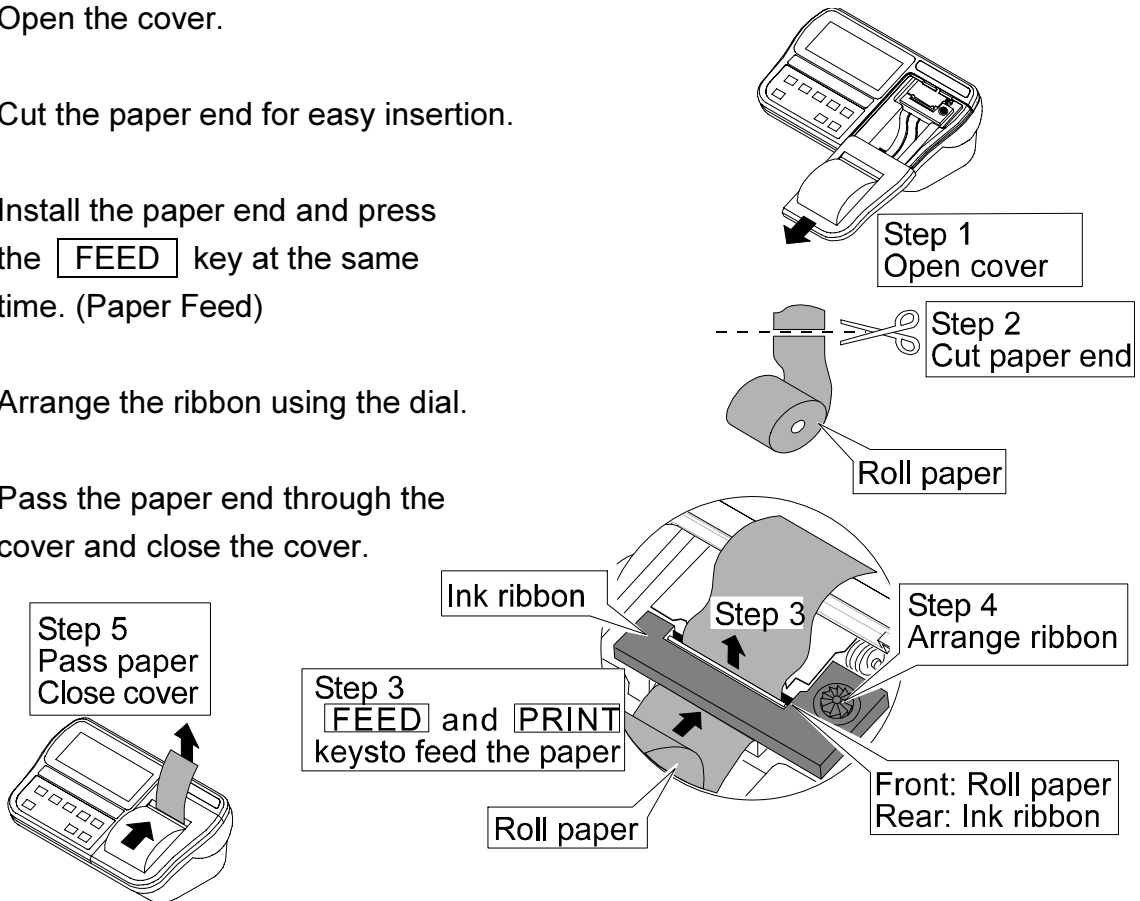
Step 1 Open the cover.

Step 2 Cut the paper end for easy insertion.

Step 3 Install the paper end and press the **FEED** key at the same time. (Paper Feed)

Step 4 Arrange the ribbon using the dial.

Step 5 Pass the paper end through the cover and close the cover.



Replacing the Ink Ribbon

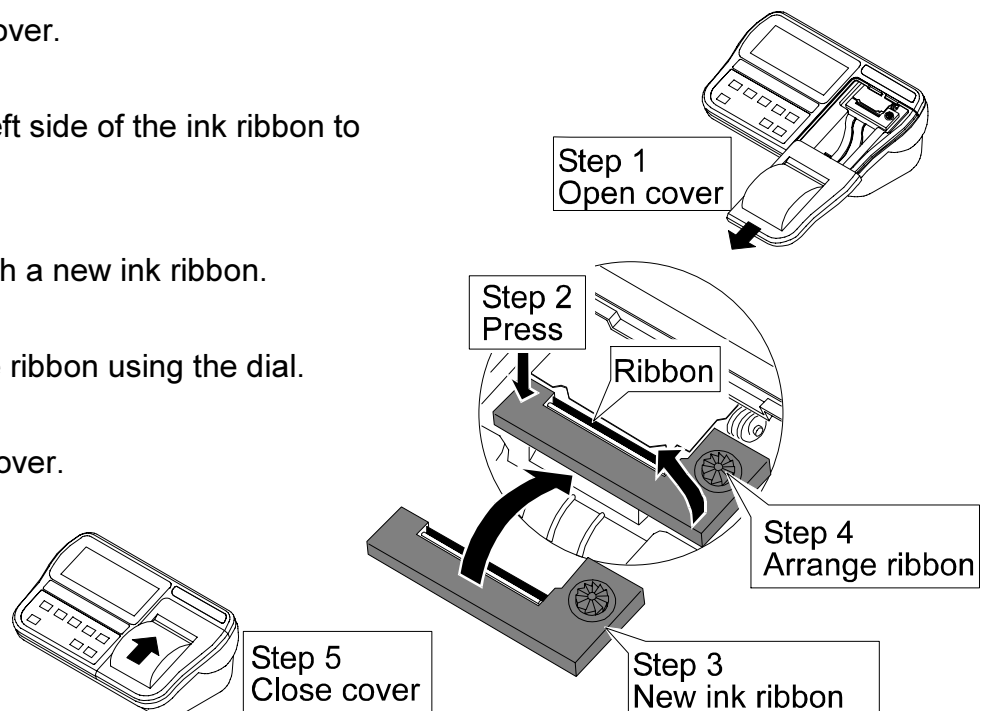
Step 1 Open the cover.

Step 2 Press the left side of the ink ribbon to remove it.

Step 3 Replace with a new ink ribbon.

Step 4 Arrange the ribbon using the dial.

Step 5 Close the cover.





15. Common Printer and Data Output Items

There are some similar functions and operations for the internal printer and the serial data output (RS-232C, RS-422/485 and the current loop).

Data output / print output mode

Data number (not available the current loop)

Interval data output or print out



15.1. Data Output / Print Mode

Description of "Stream Mode" (For data output)

Function *F37 0, F40 0*

Operation The data is output at each sampling (when refreshing the display).

Use this mode to output data to an external display (The data may not be output due to timing of the baud rate and internal sampling rate). If the data is to printed by pressing the **PRINT** key on the printer, use the stream mode.

The serial interface command can not be used at *F40 0*.

Description of "Manual Print"

Function *F37 1, F40 1, F60 1*

Operation When pressing the **PRINT** key or the external input is set to output or print, the stable weighing data is output and/or print just once.

The serial interface command can be used at *F40 1*.

Description of "Auto Print Mode"

Object *F37 2 or 3, F40 2 or 3, F60 2 or 3,*

Operation When the weight data varies from the "inhibit region for output" to the "permission region of output", the stable data is output and/or print just once. If you use this mode, set *F02 1 ~ 10*, but not *0*.

The serial interface command can be used at *F40 2 or 3*.

- For weighing (and removing) each object and printing the data.
- In case of *F37 2, F40 2, F60 2*
"Inhibit region for output" $\leq +5d$. $+5d < \text{"permission region of output"}$.
- In case of *F37 3, F40 3, F60 3*
 $-5d \leq \text{"inhibit region for output"} \leq +5d$.
"Permission region of output" $< -5d$, $+5d < \text{"permission region of output"}$.

d: division (weighing interval) of the first range.

Description of "Accumulation Data Output/Print"

Function *F37 4, F40 4, F60 4*

Operation When accumulating by manual or automatic, data is output and/or print automatically with the accumulated data.

The serial interface command can be used at *F40 4*.

Description of "Command Mode" (For Serial Interface)

Function F40 5

Operation The serial data can be output by the serial interface command only. Data conflicts or accidental data output by mis-operation can be avoided when using multiple instruments with the RS-422/485 interface.

Description of "Delay for continual data"

Function F38, F42

Operation This function can be used in the "Auto print mode" and "Manual print mode". When using a non-buffered printer, set to F42 3 and F43 1 (or F38 1).



15.2. Data Number

The data number increments automatically with each serial data output or print out respectively from 1 to 99999 (the next of 99999 is 1). The starting number can be set using the keys.

Setting the Serial Data Number

Press the **CODE(1)** key while pressing the **PRINT** key at the weight display, the display changes to **DATA r** then **r xxx**. "xxx" is the next data number. Use the **0** - **9** keys to enter the number, then press the **ENTER** key to store the number and return to the weight display.

Setting the Print Data Number

Press the **SAMPLE(2)** key while pressing the **PRINT** key at the weight display, the display changes to **DATA P** then **P xxx**. "xxx" is the next data number. Use the **0** - **9** keys to enter the number, then press the **ENTER** key to store the number and return to the weight display.

Note 1. At the number setting, the following keys are available.

+/- key Sets the number to 1.

ZERO key Sets the number to 0.

ESC key Returns to the weight display without changing the number.

2. When setting the number to 0, it is entered as 1 automatically.



15.3. Interval Data Output / Print

The AD-4405 can output and/or print data with a constant time interval using the internal calendar/clock function. The time intervals for serial data output and for the printer can be set individually from 1 second up to 23 hours and 59 minutes.

Caution The interval time must be set to allow enough time to finish output or printing out.

15.3.1. Setting the Interval Time

- Step 1 By pressing the **SETPOINT(3)** key while pressing the **PRINT** key, **INT_{BAR}RL** will be displayed for 2 seconds.
- Step 2 Select which interval time to set using the following keys. The item is displayed.
- MODE** key The key to select serial output **INT₅I** or printer **INT_P** to set.
 - ESC** key The key to return to the weight display.
 - ENTER** key The key to proceed to the time setting (Step 3).
- Step 3 Set the interval time using the following keys. The key operation is the same as the time settings.
- 0 - 9** key The key to set the value at the blinking digit, then the blinking digit shifts to the right. (Illegal numbers are ignored) .
 - +/-** key The key to shift the blinking digit to the right.
 - CLEAR** key The key to reset the settings and display the interval time stored in memory.
 - ESC** key The key to return to Step 2 without changing the interval time settings.
 - ENTER** key The key to store the interval time then return to Step 2.

15.3.2. Interval Data Output / Print output

- Set the data output mode or print mode to “Manual mode” respectively to interval data output or print out.
- By pressing the **START(7)** key while pressing the **PRINT** key the interval timer starts and the first data is output or printed.
- At the start, the internal printer prints the interval time setting first.
- By pressing the **STOP (8)** key while pressing the **PRINT** key the interval timer stops and the data at that time is output or printed. The internal printer prints “Intv. Stop” before printing the data.
- The internal printer prints unstable data in the interval print mode.
- The internal printer replaces over-range data with spaces and decimal point.



16. RS-232C Interface

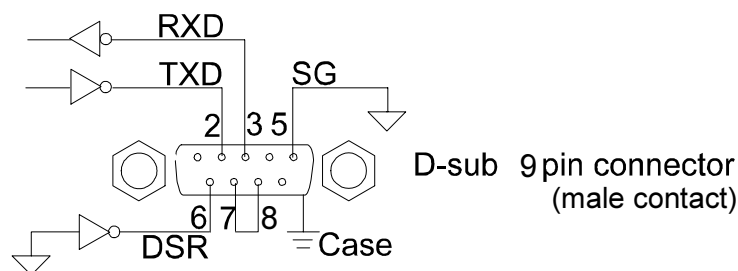


16.1. Specifications

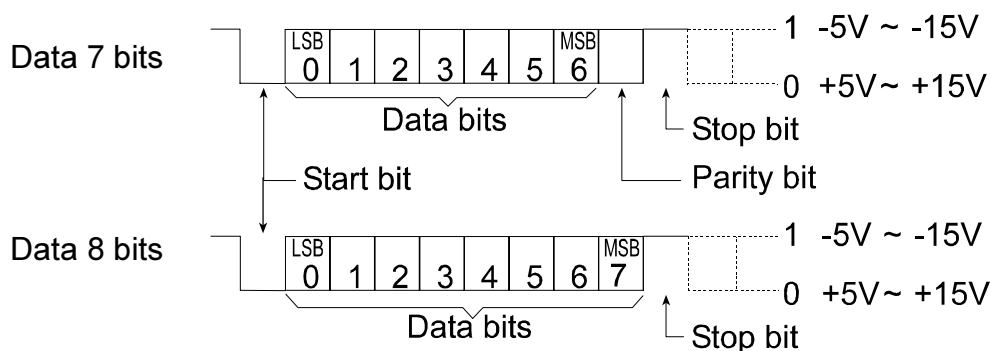
Transmission	Asynchronous, bi-directional, half-duplex
Baud rate	600, 1200, 2400, 4800, 9600 bps
Data bits	7 bits, 8 bits
Parity bits	1 bit, Even or Odd (for 7 data bits) or Non parity (for 8 data bits)
Start bit	1 bit
Stop bit	1 bit
Code	ASCII
Terminator	CR LF, CR (CR: 0Dh, LF: 0Ah)
Connector	D-sub 9 pin connector

Circuit and Pin Connection

Pin No.	Signal name	Direction	Description
2	TXD	Output	Transmit data
3	RXD	Input	Received data
5	SG	-	Signal ground
6	DSR	Output	Data set ready
7	(RTS)	-	Pin 7 is connected to pin 8
8	(CTS)		
Case	FG	-	Shield (Frame ground)
Other			Not used



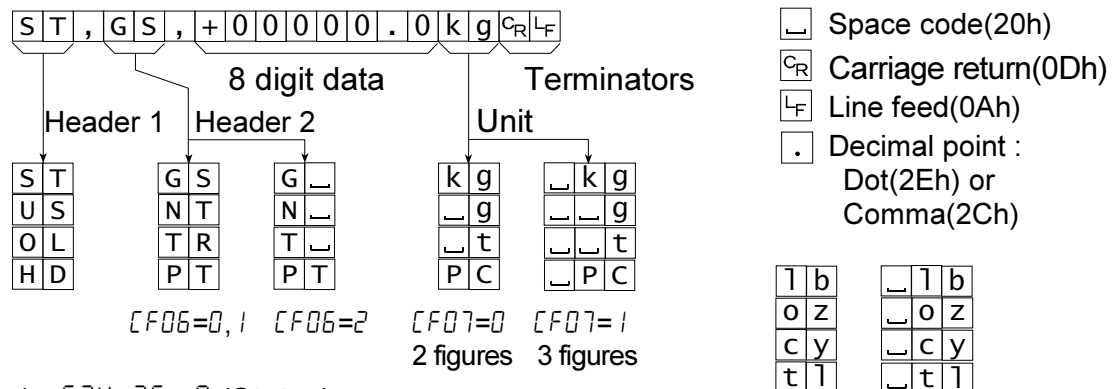
Bit Format





16.2. Data Format

- There are two data format types set at F-Function $F34$ and $F35$.
- The initial data format of $F34$ is shown below.



Header 1 $F34, 35 : 9$ (Status)

- ST St_ab_le weight data.
- US Un_st_ab_le weight data.
- OL Overload (Out of range).
- HD Held weight data (The response of the "RW and "RW,n" command).

Header 2 $F34, 35 : E$ (weight type)

- GS or G Gross data.
- NT or N Net data
- TR or T Tare data.

Data $F34, 35 : A, b, C, d$ (weight data)

The first of the data bits is the polarity, "+" or "-".

When data is zero, the polarity is "+".

8 digits including polarity and decimal point (dot or comma).

In case of "out of range", the data are replaced by spaces except for the decimal point.

Unit $F34, 35 : F$ (unit)

In case of $CF07 0$, the unit length is 2 digits.

In case of $CF07 1$, the unit length is 3 digits. Depending on circumstances, an A&D printer may not work correctly.



16.3. Command Format

Explanation of Commands

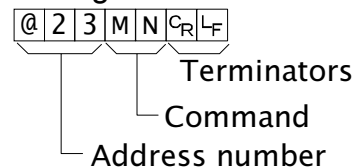
- When performing a command, the received command or replay data is sent back.
- When the received command can not be performed such as the "busy" state, the code " I " is sent back. In this case, insert a delay time. Electrical noise may be the cause of this error.
- When receiving an undefined command (unknown command), a "?" is sent back.
- When there is insufficient memory to store the data of the UFC commands, an "M" is sent back.
- Optional addresses can be appended to a command. The address form is "@address" and the address is specified at F-Function F06. The reply (data or error code) is also sent with the address.

Example: The command is "Display net data". The address is 23.

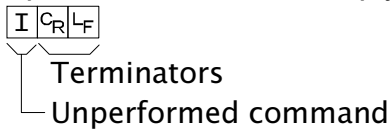
Sending a command



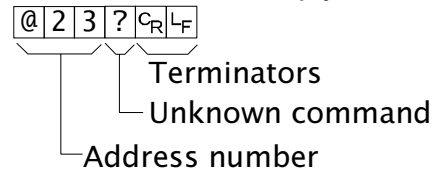
Sending a command with address



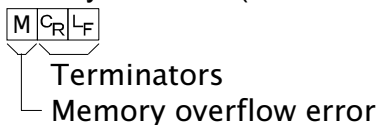
Unperformed command reply



Unknown command reply



Memory overflow (for UFC commands)



C_R Carriage return(0Dh)
L_F Line feed(0Ah)

16.3.1. Commands to Request Data

Request for the Display Data (1)

When receiving this command, the display data is returned immediately.

Template RW

Command `R|W|CR|LF`

Reply `S|T|,|G|S|,|+|0|0|1|2|3|.|0|k|g|CR|LF`

Request for the Display Data (2)

When receiving this command, the display data is returned immediately with format 1 or 2.

Template RW,1 or RW,2

Command `R|W|,|1|CR|LF` or `R|W|,|2|CR|LF`

Reply Format1 (F34) or Format2 (F35)

Request for the Gross weight

When receiving this command, the gross data is returned immediately.

Template RG

Command `R|G|CR|LF`

Reply `S|T|,|G|S|,|+|0|0|1|2|3|.|0|k|g|CR|LF`

Request for the Net weight

When receiving this command, the net data is returned immediately.

Template RN

Command `R|N|CR|LF`

Reply `S|T|,|N|T|,|+|0|0|1|2|3|.|0|k|g|CR|LF`

Request for Tare weight

When receiving this command, the tare data is returned immediately.

Template RT

Command `R|T|CR|LF`

Reply `S|T|,|T|R|,|+|0|0|1|2|3|.|0|k|g|CR|LF`

Request for the Accumulated Data

When receiving this command, the accumulated data is returned immediately.

Template RA

Command `R|A|CR|LF`

Reply Refer to the fixed data format of “8.1.2. Display and Operation, Output of Accumulation data”.

Is the Display Zero

When receiving this command, returns “at zero point” or no is returned immediately.

Template RZ

Command `R|Z|CR|LF`

Reply `1|CR|LF` When at ZERO `0|CR|LF` Not at ZERO

16.3.2. Commands to Control the Indicator

Zero the Display

Sets the current display to the zero point.

Template MZ

Command

M	Z	C _R	L _F
---	---	----------------	----------------

Reply

M	Z	C _R	L _F
---	---	----------------	----------------

Tare

Sets the current display to zero of the net data.

Template MT

Command

M	T	C _R	L _F
---	---	----------------	----------------

Reply

M	T	C _R	L _F
---	---	----------------	----------------

Clear the Tare Data

Clears the tare data and displays the gross data.

Template CT

Command

C	T	C _R	L _F
---	---	----------------	----------------

Reply

C	T	C _R	L _F
---	---	----------------	----------------

Display the Gross Data

Displays the gross data.

Template MG

Command

M	G	C _R	L _F
---	---	----------------	----------------

Reply

M	G	C _R	L _F
---	---	----------------	----------------

Display the Net Data

Displays the net data.

Template MN

Command

M	N	C _R	L _F
---	---	----------------	----------------

Reply

M	N	C _R	L _F
---	---	----------------	----------------

Accumulation (M+)

Accumulates the displayed data.

Template MA

Command

M	A	C _R	L _F
---	---	----------------	----------------

Reply

M	A	C _R	L _F
---	---	----------------	----------------

Clearing the Accumulated data

Clears the accumulated data.

Template CA

Command

C	A	C _R	L _F
---	---	----------------	----------------

Reply

C	A	C _R	L _F
---	---	----------------	----------------

Changing the Weight Unit

Changes the weight unit.

Template UC

Command

U	C	C _R	L _F
---	---	----------------	----------------

Reply

U	C	C _R	L _F
---	---	----------------	----------------

Changing the Code Memory

Changes the Code Memory number.

Template SC,m

m: code memory number, 0 - 4

Command

S	C	,	2	C _R	L _F
---	---	---	---	----------------	----------------

Reply

S	C	,	2	C _R	L _F
---	---	---	---	----------------	----------------

Disabling the Key Switches

Disables the key switches. Once power is turned off, this command has no effect.

Template DK,n

n: key switch number (0: all keys, 1 - F: refer to F-Function F12)

Command

D	K	,	2	C _R	L _F
---	---	---	---	----------------	----------------

Example: to disable SAMPLE key

Reply

D	K	,	2	C _R	L _F
---	---	---	---	----------------	----------------

Enabling the Key Switches

Enables the key switches that were disabled by the DK command. Not applicable to the keys disabled by F12.

Template EK,n

n: key switch number (0: all keys, 1 - F: refer to F-Function F12)

Command

E	K	,	0	C _R	L _F
---	---	---	---	----------------	----------------

Example: to enable all keys

Reply

E	K	,	0	C _R	L _F
---	---	---	---	----------------	----------------

16.3.3. Commands to Set Parameters

Set the Limit/Setpoint Value

Sets the limit or setpoint value of the comparison. The decimal point is not necessary.

Template Sm,n, [value]

m: code memory number, 0 - 4

n : setpoint order number, refer to "Setting the setpoint"

Command S 1 , 3 , + 1 6 0 C_R L_F

Reply S 1 , 3 , + 1 6 0 C_R L_F

Set the Zero Band

Sets the F26 value (zero band) of the comparison. The decimal point is not necessary.

Template SZ, [value]

Command S Z , + 7 4 8 C_R L_F

Reply S Z , + 7 4 8 C_R L_F

Set the Preset Tare

Sets the preset tare value. The decimal point is not necessary.

Template PT,m, [value]

m: code memory number, 0 - 4

Command P T , 2 , 2 1 3 C_R L_F

Reply P T , 2 , 2 1 3 C_R L_F

Set the Unit Weight for Counting Mode

Sets the unit weight value with decimal point.

Template UW,m, [value]

m: code memory number, 0 - 4

Command U W , 2 , 2 1 . 3 C_R L_F

Reply U W , 2 , 2 1 . 3 C_R L_F

16.3.4. Commands for the Hold Function

Start Averaging to Hold

Starts averaging to hold. The reply differs with the conditions.

Template	HS							
Command	<table border="1"><tr><td>H</td><td>S</td><td>C_R</td><td>L_F</td></tr></table>	H	S	C _R	L _F			
H	S	C _R	L _F					
Reply	<table border="1"><tr><td>H</td><td>S</td><td>C_R</td><td>L_F</td></tr></table>	H	S	C _R	L _F	Averaging start		
H	S	C _R	L _F					
	<table border="1"><tr><td>H</td><td>D</td><td>,</td><td>1</td><td>C_R</td><td>L_F</td></tr></table>	H	D	,	1	C _R	L _F	Averaging now
H	D	,	1	C _R	L _F			
	<table border="1"><tr><td>H</td><td>D</td><td>,</td><td>2</td><td>C_R</td><td>L_F</td></tr></table>	H	D	,	2	C _R	L _F	Held
H	D	,	2	C _R	L _F			

Release the Hold Data

Releases the hold data or stop averaging and goes to the normal weighing mode.

Template	HC				
Command	<table border="1"><tr><td>H</td><td>C</td><td>C_R</td><td>L_F</td></tr></table>	H	C	C _R	L _F
H	C	C _R	L _F		
Reply	<table border="1"><tr><td>H</td><td>C</td><td>C_R</td><td>L_F</td></tr></table>	H	C	C _R	L _F
H	C	C _R	L _F		

Request the Hold Status

When receiving this command, the average/hold state is returned immediately.

Template	HD							
Command	<table border="1"><tr><td>H</td><td>D</td><td>C_R</td><td>L_F</td></tr></table>	H	D	C _R	L _F			
H	D	C _R	L _F					
Reply	<table border="1"><tr><td>H</td><td>D</td><td>,</td><td>0</td><td>C_R</td><td>L_F</td></tr></table>	H	D	,	0	C _R	L _F	Not hold nor averaging
H	D	,	0	C _R	L _F			
	<table border="1"><tr><td>H</td><td>D</td><td>,</td><td>1</td><td>C_R</td><td>L_F</td></tr></table>	H	D	,	1	C _R	L _F	Averaging now
H	D	,	1	C _R	L _F			
	<table border="1"><tr><td>H</td><td>D</td><td>,</td><td>2</td><td>C_R</td><td>L_F</td></tr></table>	H	D	,	2	C _R	L _F	Held
H	D	,	2	C _R	L _F			

16.3.5. Commands to Set the Data Output/ Print Format (UFC)

Set Serial Data Format

Sets the serial output data format.

Format 1 (2) data is stored in the same memory area of F34 (F35).

Template	SFf, [parameters]									
	f: Format number, 1 or 2									
Command	<table border="1"><tr><td>S</td><td>F</td><td>1</td><td>,</td><td>\$</td><td>G</td><td>R</td><td>C_R</td><td>L_F</td></tr></table>	S	F	1	,	\$	G	R	C _R	L _F
S	F	1	,	\$	G	R	C _R	L _F		
Reply	<table border="1"><tr><td>S</td><td>F</td><td>1</td><td>,</td><td>\$</td><td>G</td><td>R</td><td>C_R</td><td>L_F</td></tr></table>	S	F	1	,	\$	G	R	C _R	L _F
S	F	1	,	\$	G	R	C _R	L _F		

Set Print Format

Sets the print out data format.

Format 1 (2) data is stored in the same memory area of F70 (F71).

Template	PFf, [parameters]									
	f: Format number, 1 or 2									
Command	<table border="1"><tr><td>P</td><td>F</td><td>1</td><td>,</td><td>\$</td><td>G</td><td>R</td><td>C_R</td><td>L_F</td></tr></table>	P	F	1	,	\$	G	R	C _R	L _F
P	F	1	,	\$	G	R	C _R	L _F		
Reply	<table border="1"><tr><td>P</td><td>F</td><td>1</td><td>,</td><td>\$</td><td>G</td><td>R</td><td>C_R</td><td>L_F</td></tr></table>	P	F	1	,	\$	G	R	C _R	L _F
P	F	1	,	\$	G	R	C _R	L _F		



16.4. UFC Commands

- UFC (Universal Flexi Coms) function enables editing the serial data output format or the print out format freely using the serial interface command.
- For customizing the print out of the printer or efficient data collection.
- Output data is not only the indicator's data/status but also characters at will.
- It can output the control code* of the printer. (* depends on the individual printer)
- There are 2 sets of memories for storing the parameters.

UFC Command Parameters

UFC commands such as SF1, PF1 have many parameters.

- One command line can have multiple parameters. The parameters are stored in memory in order.
- Multiple UFC commands are acceptable. Parameters are stored next to the last parameter stored by the last UFC command.
- Clear all of the data first, if storing a new set of parameters. The parameters in the stored data can not be changed partially.
- The various types of parameters and their descriptions are shown below.

Data	Weight, result of comparison, etc.
\$CL	Clear previous settings. UFC command parameters can not be changed partially.
\$WT	Displayed data
\$GR	GRoss data
\$NT	NeT data
\$TR	TaRe data
\$HD	Header of Gross/Net/Tare or Preset tare. Refer to CF06.
\$UT	Weight UniT
\$ST	STable/Unstable
\$CP	Result of ComParison
\$ID	ID number specified at F06
\$DT	Date
\$TM	Time
\$DN	Data number increments with each output automatically
\$CD	CoDe memory number
\$AN	Accumulation count
\$TL	TotaL weight
\$CM	CoMma
\$CR	CR code (0Dh)
\$LF	LF code (0Ah)
\$DE	DElete the last parameter

\$DL Inserting a DeLay time (0.1 second step)

Example: DL10 : 1.0 second delay

Strings

Output or print specified strings enclosed by a single quotation (').

' itself is described using three single quotations; '''.

Example: 'A & D' 'This is a sample of ''' .'

Set data bit = 8 bit if using the 8 bit characters.

Hexadecimal

Control code of the printer etc. preceded by #.

2 characters preceded by # is hexadecimal code.

Example: #09, #7C

The #FF code can not be used because it is used for internal control.

□ Example

SF1,\$ID\$DN\$CR\$LF\$GR\$UT\$CR\$LF

Serial output data format 1, ID number, data number, carriage return and line feed, Gross weight, unit, carriage return and line feed.

SF2,' Welcome to A & D'\$LF'Total weight '\$AN\$TL\$LF\$LF

Serial output data format 2, the strings ' Welcome to A & D' and line feed, the strings 'Total weight ' accumulation count, total weight, and 2 sets of line feed.

PF2,\$DT\$TM\$LF\$AN\$SP\$TL\$LF

```
05/03/21 01:34PM
Acc.N 000123
TOTAL      4567.8 kg
```

Date and time
Line feed
Accumulation number
Total weight
Line feed



17. RS-422/RS-485, Relay Output(OP-03)

- Replacing the RS-232C interface with this option, the RS-422/RS-485 interface can connect up to 32 indicators and control them from a computer or a PLC.
- The functions of the RS-422/RS-485 interface are common to RS-232C except the signal system.
- The relays output the result of comparison.

Solid-state-relay

Maximum voltage DC50V

Maximum current DC100mA

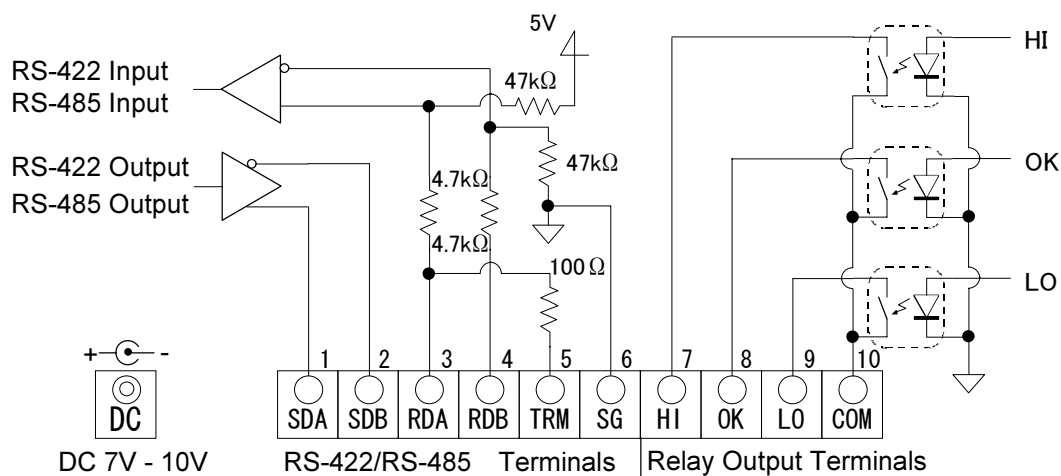
Maximum resistance 8Ω

- Pin connections

Function	Pin No.	Signal name	Direction	Description
RS-422 RS-485	1	SDA	Output	Transmission A terminal
	2	SDB	Output	Transmission B terminal
	3	RDA	Input	Receive A terminal
	4	RDB	Input	Receive B terminal
	5	TRM	-	Terminator resistance (100Ω)
	6	SG	-	Signal ground
Relay output	7	HI	Output	Relay output HI
	8	OK	Output	Relay output OK
	9	LO	Output	Relay output LO
	10	COM	-	Relay output common

- Adaptable connector TM-BLA10 (an accessory)
- An AC adapter (an accessory) must be connected to the option board when using the RS-422 or RS-485 interface. If using relay output only, the AC adapter is not required.

Circuit



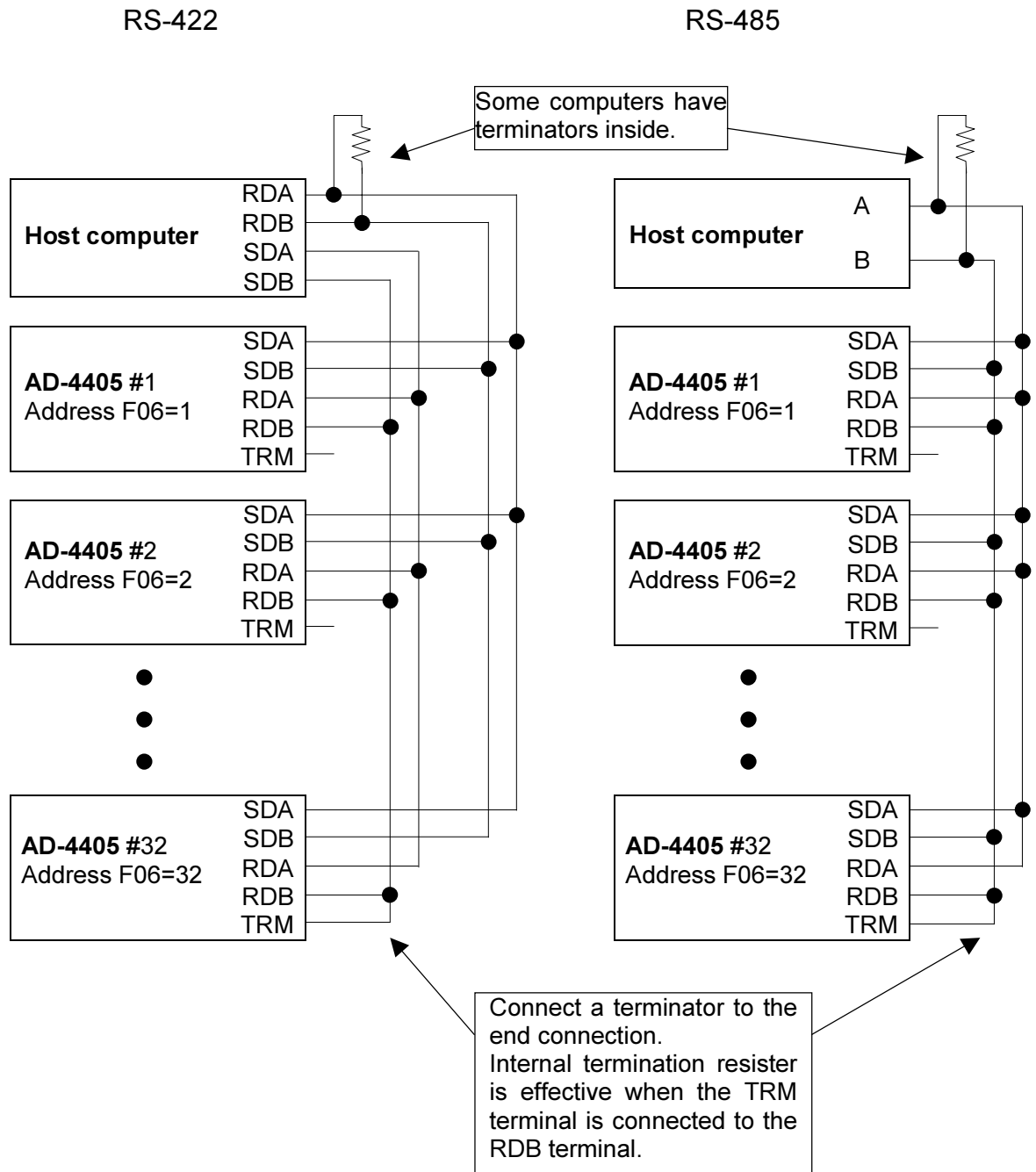
Note: Please confirm that the AC adapter type is correct for your local voltage and receptacle type

Switching Between RS-422/RS-485

Switching between RS-422/RS-485 is made with the slide switch (S1) on the OP-03 board.

Connection

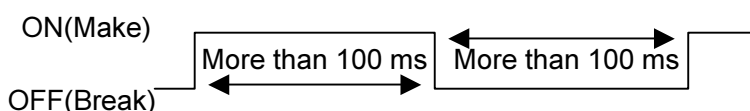
- The polarity of signals A and B may vary with different computers.
- It is not necessary to ground the SG terminal when using a computer without a signal ground terminal.





18. Relay Output & Control Input (OP-05)

- Replacing the RS-232C interface with this option, 3-relay outputs and 3-control inputs can be used with the RS-232C interface of this option.
- RS-232C functions and pin connections are the same as the RS-232C interface described in “16. RS-232C Interface”.
- The control inputs can control the indicator from an external terminal just like the front panel key operations.
- Set the external control functions at *F 13*, *F 14* and *F 15* of the F-Functions.
- When connecting each function pin to the common pin, the indicator makes the action.
- Keep a signal width more than 100 ms for the On-time and Off-time.



- The relays output the result of comparison.

Solid-state-relay

Maximum voltage DC50V

Maximum current DC100mA

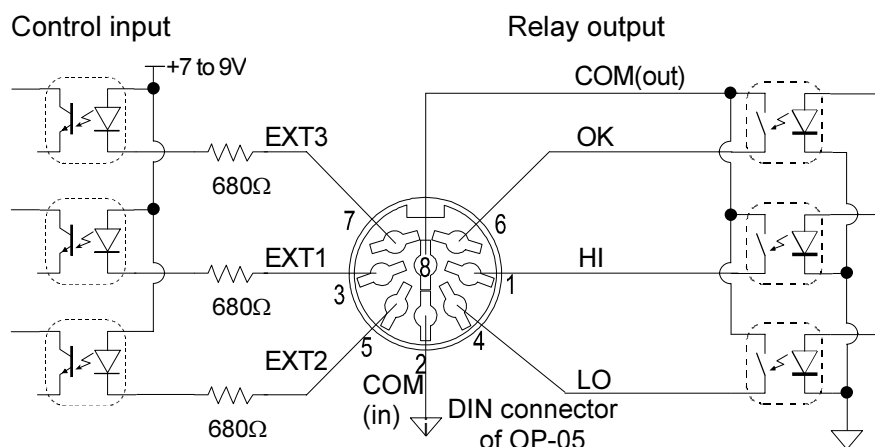
Maximum resistance 8Ω

- Pin connections (DIN 8pin connector)

Function	Pin No.	Signal name	Direction	Description
Relay output	1	HI	Output	Relay output HI
	6	OK	Output	Relay output OK
	4	LO	Output	Relay output LO
	8	COM(out)	-	Relay common terminal
Control input	3	EXT1	Input	Control input 1 (<i>F 13</i>)
	5	EXT2	Input	Control input 2 (<i>F 14</i>)
	7	EXT3	Input	Control input 3 (<i>F 15</i>)
	2	COM(in)	-	Control input common

- Adaptable connector JA-TCP0586 (of accessory)

Circuits





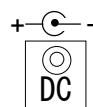
19. 4-20mA Analog Output (OP-07)

- The OP-07 analog output option is for sending the weight data to an analog input unit.
- The output is a 4mA to 20mA current output proportional to the display reading.
- The output data is updated in synchronization with the display update.

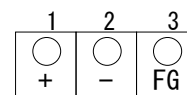
Specifications

Output current	4mA to 20mA *	Non-linearity	Less than +/- 0.1% fs
Load resistance	0 to 510 Ω	Temperature coefficient	ZERO
Resolution	Approx. 1/10000		SPAN
Output terminal	Connector terminal No.1 : + No.2 : - No.3 : FG(Earth)		
Accessory	Connector terminal (1) TM-MSTB03STF AC adapter (1) Note: Please confirm that the AC adapter type is correct for your local voltage and receptacle type.		

* When set to non-weight display (Calibration, F-settings etc.), output current is 4mA.
The output current is not adjustable.



DC 7V - 10V
AC adapter Jack



Analog output terminal

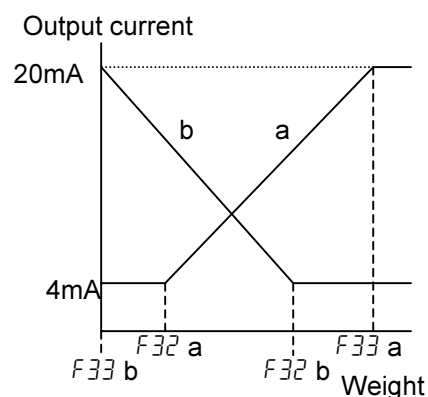
Settings

Set $F30$ 1 of the F-Function, and set $F31$, $F32$ and $F33$.

	Item	Parameter	Remarks	
Data output	$F30$ Data output	* 0	No output	Initial setting
		1	Analog output	Must be set to 1
		2	Serial in/out 1	
		3	Serial in/out 2	
Analog output	$F31$ Output data	* 0	Displayed value	Initial setting
		1	GROSS weight	
		2	NET weight	
	$F32$ Weight value at 4mA	-999999 to 999999 (Initial setting is 0)	Decimal point is set at "CALSET"	
$F33$ Weight value at 20mA	-999999 to 999999 (Initial setting is 10000)	Decimal point is set at "CALSET"		

Settings of $F32$ and $F33$

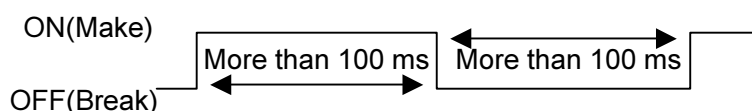
When entering the $F32$ or $F33$ settings (press the **ENTER** key when "32" or "33" is blinking), the setting value is displayed. Set the value using the 0 - 9 key. By pressing the +/- key, the polarity of the value can be alternated. Press the **ENTER** key to store the setting value into memory. After this the display returns to selection of the Function number.





20. Current Loop Output (OP-08)

- Replacing the RS-232C interface with this option, current loop output, 3-relay outputs and 1-control input can be used with the RS-232C interface of this option.
- RS-232C functions and pin connections are the same as the RS-232C interface described in “16. RS-232C Interface”.
- The control input can control the indicator from an external terminal just like the front panel key operations.
- Set the external control function at *F 15* of the F-Functions.
- When connecting the function pin and the common pin, the indicator makes the action.
- Keep a signal width of more than 100 ms for the On-time and Off-time.



- The relays output the result of comparison.

Solid-state-relay

Maximum voltage DC50V

Maximum current DC100mA

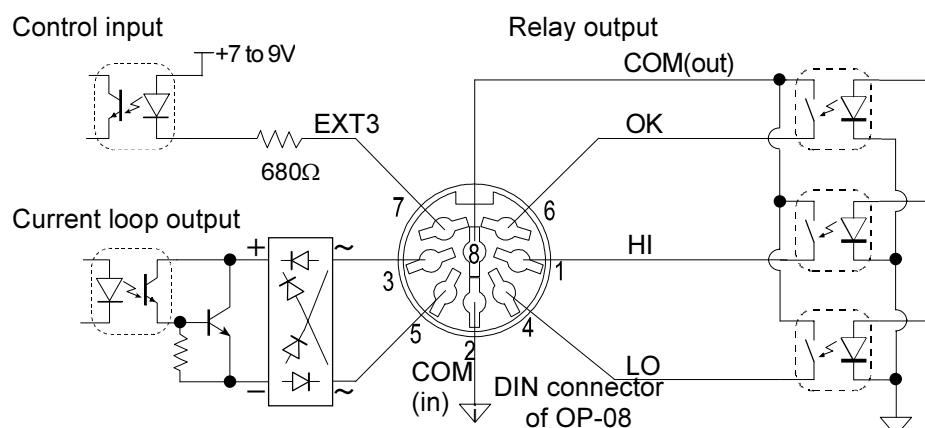
Maximum resistance 8Ω

- Pin connections (DIN 8pin connector)

Function	Pin No.	Signal name	Direction	Description
Relay output	1	HI	Output	Relay output HI
	6	OK	Output	Relay output OK
	4	LO	Output	Relay output LO
	8	COM(out)	-	Relay common terminal
Current loop	3	CL1	Output	Current loop output 1
	5	CL2	Output	Current loop output 2
Control input	7	EXT3	Input	Control input 3 (<i>F 15</i>)
	2	COM(in)	-	Control input common

- Adaptable connector JA-TCP0586 (of accessory)

Circuits





21. Specifications

Analog Input and A/D Conversion

Input sensitivity	Up to 0.25 μ V/division	
Input signal range	-1 mV ~ 15 mV	
Load cell excitation voltage	5V DC \pm 5%, 60 mA with sense voltage input	
Load cell drive capacity	Maximum 4 x 350 Ω load cells	
Temperature coefficient	Zero	$\pm(0.2 \mu\text{V} + 0.0008 \% \text{ of zero adjustment voltage})/^{\circ}\text{C}$ (typ.)
	Span	$\pm 0.0008\%/^{\circ}\text{C}$ of reading (typ.)
Non-Linearity	0.01 % of full scale	
Maximum input noise	Less than 0.4 μ Vp-p	
Input impedance	10 M Ω or more	
A/D conversion method	Integrating dual slope type	
A/D resolution count	40000 counts	
A/D conversion rate and display update rate	Approximately 10 times/s (unstable), 5 times/s (stable)	
Maximum display resolution	20000 (permissible 40000)	

Digital Section

Measurement display	7 segment, Vacuum fluorescent display tube	
	Character color	Cobalt-blue
	Character height	20 mm
State indicator Symbol	Minus sign, Zero point, Stable, Net, Preset tare value, Storing accumulation data, Percentage, Various state indicator (triangle1, 2,3)	
	Character color	Cobalt-blue
Comparison result	HI, OK, LO	
	Character color	Red for HI and LO, Green for OK
Unit	kg, g, t (lb, oz, lb-oz / catty, tl, catty-tl: depends on the region)	
	Character color	Cobalt-blue

Interface

RS-232C interface	Serial interface for communication (D-Sub 9P)
RS-422/485 interface	Serial interface for communication, control (terminal block)
Current Loop output	20mA, Passive type (DIN 8P)
Analog output	4-20mA, free scaling output (terminal block)
External Control Input	3 (or 1) contact input terminals, selected functions (DIN 8P)
Relay output	3 point (DIN 8P or terminal block)
	Capacity: 50V AC/DC, maximum current 100mA (resistive load)
	Comparison mode selection
	HiHi, Hi, OK, Lo, LoLo output for limit comparison
	Zero band, preliminary, free fall, final for setpoint comparison

Printer

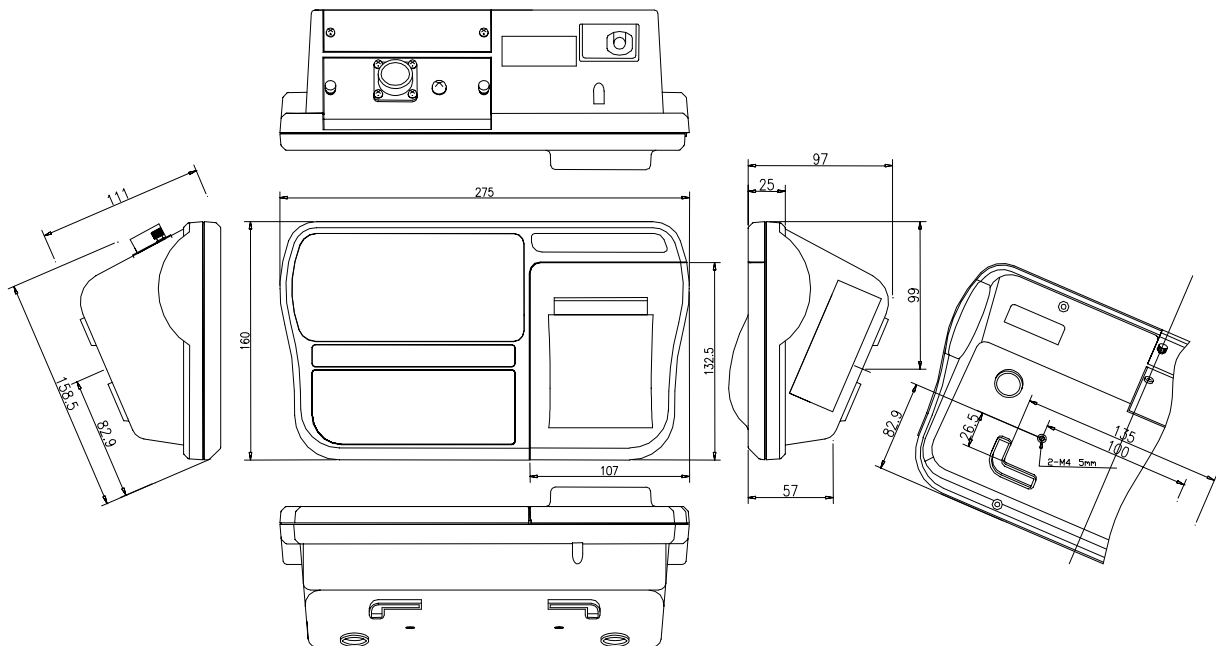
Built-in printer	5 x 7 dot matrix type, 16 digits per line
------------------	---

General

Power supply	Selection by internal connector from 100V AC, 120V AC, 200V AC and 230V AC, +10% to -15%, 45Hz to 65Hz
Power consumption	Approximately 20VA
Operation temperature	-10°C to +40°C (14°F to 104°F)
Operation humidity	85% R.H. (no condensation)
Mass	1300g approximately
Dimensions	275(W) x 111(H) x 159(D) mm
Accessories	Refer to "4.1.4. Accessories and Option"



21.1. Dimensions





A&D Company, Limited

3-23-14 Higashi-Ikebukuro, Toshima-ku, Tokyo 170-0013 JAPAN
Telephone: [81] (3) 5391-6132 Fax: [81] (3) 5391-6148

A&D ENGINEERING, INC.

1555, McCandless Drive, Milpitas, CA. 95035 U.S.A.
Telephone: [1] (408) 263-5333 Fax: [1] (408)263-0119

A&D INSTRUMENTS LTD.

Unit 24/26 Blacklands Way, Abingdon Business Park, Abingdon, Oxon OX14 1DY United Kingdom
Telephone: [44] (1235) 550420 Fax: [44] (1235) 550485

<German Scales Office>

Große Straße 13 b 22926 Ahrensburg GERMANY
Telephone: [49] (0) 4102 459230 Fax:[49] (0) 4102 459231

A&D MERCURY PTY. LTD.

32 Dew Street, Thebarton, South Australia 5031 AUSTRALIA
Telephone: [61] (8) 8301-8100 Fax: [61] (8) 8352-7409

A&D KOREA Limited

8th Floor, Manhattan Bldg. 36-2 Yoido-dong, Youngdeungpo-ku, Seoul, KOREA
Telephone: [82] (2) 780-4101 Fax: [82] (2) 782-4280